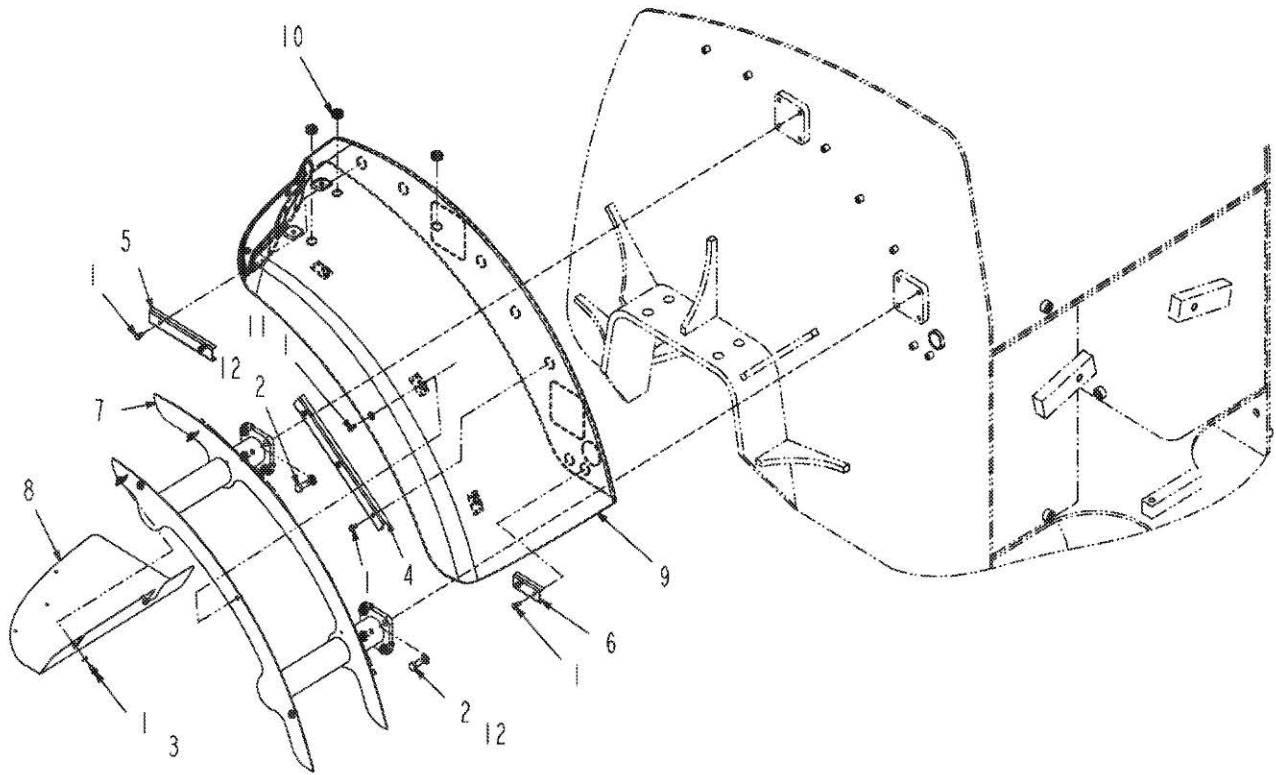


507189D1 - FENDER GROUP, REAR, RIGHT HAND	12-0001
509433D1 - FENDER GROUP, REAR, LEFT HAND	12-0002
507189D2 - FENDER GROUP, REAR, RIGHT HAND	12-0003
509433D2 - FENDER GROUP, REAR, LEFT HAND	12-0004
562877D1 - FENDER GROUP, FRONT, RIGHT HAND	12-0005
562878D1 - FENDER GROUP, FRONT, LEFT HAND	12-0006
573286D1 - FENDER SUPPORT ASSEMBLY	12-0007
508657D1 - SERVICE CABINET GROUP	12-0008
523050D1 - HITCH BRACE GROUP	12-0009
538675D1 - CENTER LINK STEP KIT APPLIES TO ALL TRACTORS BUILT.	12-0010
568318D2 - HOOD GROUP	12-0011
568318D2 - HOOD GROUP	12-0012
577811D1 - HOOD GROUP - 2016	12-0013
577811D1 - HOOD GROUP - 2016	12-0014
580352D1 - HOOD STRAP GROUP	12-0015
575107D1 - HOOD STRAP GROUP	12-0016
570478D2 - HOOD SUPPORT GROUP	12-0017
531232D1 - HOOD CLOSURE GAS STRUT	12-0018
584004D1 - HOOD SUPPORT GROUP - 2016	12-0019
512269D1 - GRILLE ASSEMBLY	12-0020
512269D1 - GRILLE ASSEMBLY	12-0021
549911D1 - BRACKET GROUP	12-0022
583943D1 - BRACKET GROUP - VIBRATION DAMPER	12-0023
573003D3 - FAN GUARD GROUP - ENGINE FAN	12-0024
584010D1 - ENGINE FAN GROUP - GUARD	12-0025
574147D1 - COVER GROUP	12-0026
563735D1 - DEFLECTOR ARRANGEMENT, FAN BLAST	12-0027
564107D1 - BELLY PAN ASSEMBLY - SPECIAL APPLICATION	12-0028
576670D1 - STEP GROUP - FRONT	12-0029
509455D2 - STEP GROUP, REAR	12-0030
564446D1 - STEP GROUP, RIGHT HAND	12-0031
556331D1 - STEP GROUP, RIGHT HAND	12-0032
564449D1 - STEP GROUP, LEFT HAND	12-0033
555067D1 - STEP GROUP, LEFT HAND	12-0034
574054D1 - STEP SUPPORT ASSEMBLY	12-0035
570135D1 - LINK ASSEMBLY, ARTICULATION	12-0036
573243D1 - MUD GUARD ASSEMBLY	12-0037
562911D1 - FENDER	12-0038
574052D1 - ARTICULATION LINK ASSEMBLY	12-0039

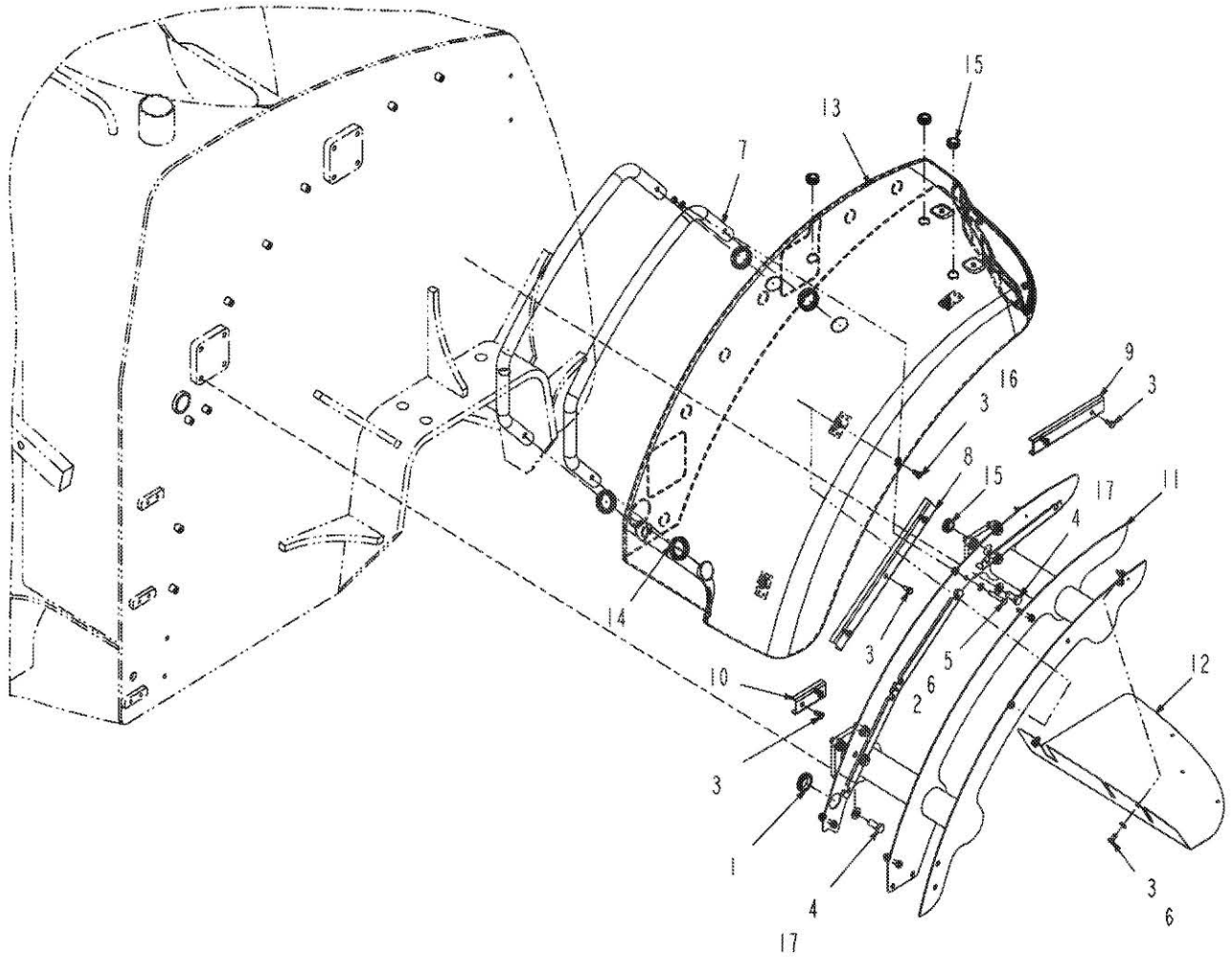
507189D1-04-N775



507189D1 - FENDER GROUP, REAR, RIGHT HAND

ITEM	PART NUMBER	QTY	DESCRIPTION COMMENTS	TECHNICAL SPECIFICATION
1	400040X1	12	HEXAGONAL HEAD BOLT	M10 X 1.5 X 20MM, CL10.9
2	400191X1	8	HEXAGONAL HEAD BOLT	M16 X 2 X 40MM, CL 10.9
3	400287X1	2	FLAT WASHER	11MM X 21MM X 2.5MM
4	507185D1	1	BULK SCOOP REAR	
5	507187D1	1	COWL FENDER, REAR	
6	507188D1	1	COWL REAR	
7	507190D1	1	FRAME	
8	509443D1	1	SHIELD	
9	512797D1	1	FENDER REAR	
10	CH3D-6209	3	GROMMET	25.4MM ID X 31.8MM OD X 6.35M
11	CH7X-7729	3	FLAT WASHER	11MM X 25MM X 3MM
12	CH8T-4122	8	FLAT WASHER	17MM X 32MM X 3.5MM

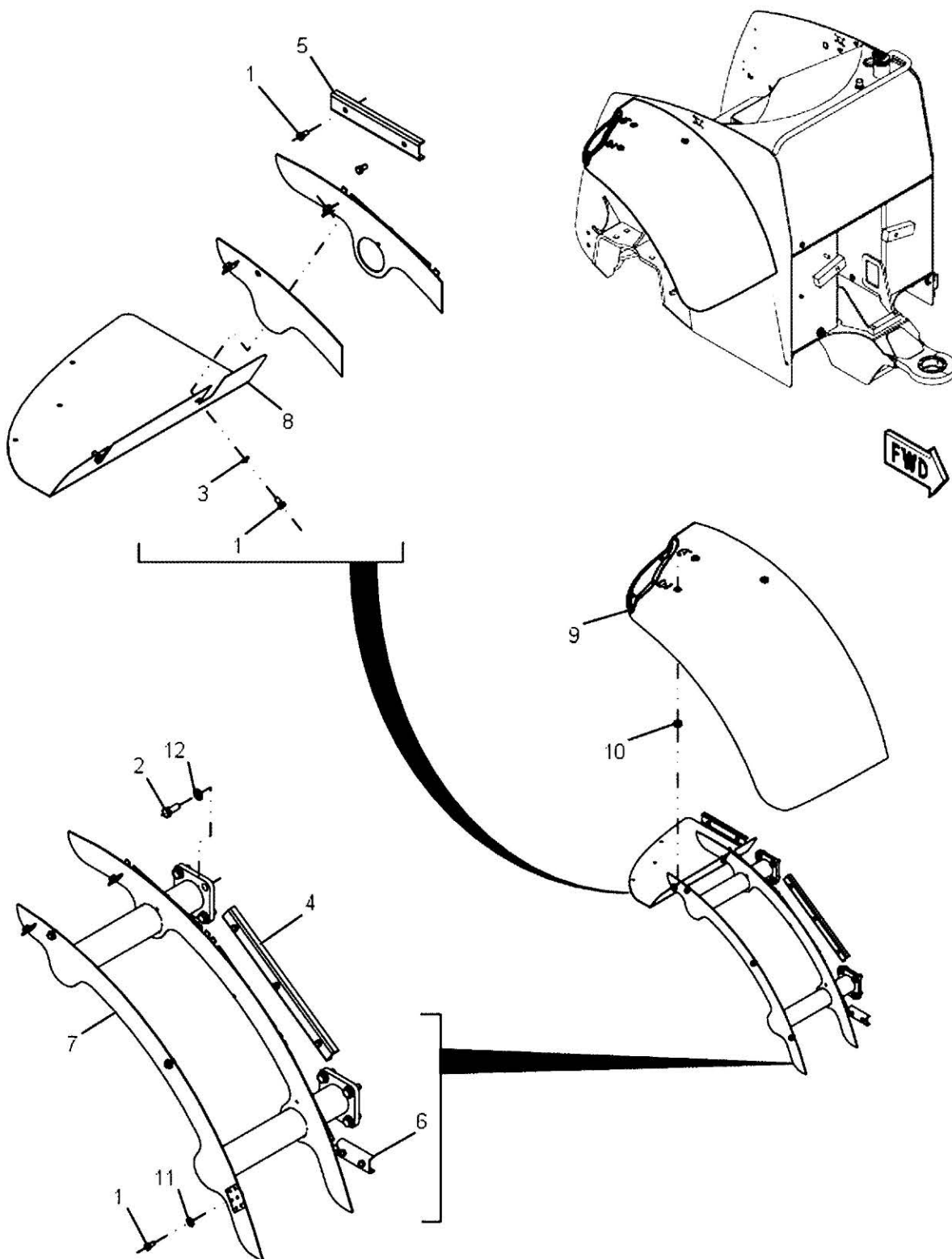
509433D1-05-N775



509433D1 - FENDER GROUP, REAR, LEFT HAND

ITEM	PART NUMBER	QTY	DESCRIPTION COMMENTS	TECHNICAL SPECIFICATION
1	AG519681	1	GROMMET RUBBER	1.5"ID X 1.75"ID X 0.125"
2	7774664	4	HEX NUT	M10 X 1.5
3	400040X1	12	HEXAGONAL HEAD BOLT	M10 X 1.5 X 20MM, CL10.9
4	400191X1	8	HEXAGONAL HEAD BOLT	M16 X 2 X 40MM, CL 10.9
5	400239X1	4	HEXAGONAL HEAD BOLT	M10 X 1.5 X 60MM, CL10.9
6	400287X1	10	FLAT WASHER	11MM X 21MM X 2.5MM
7	506777D1	2	HANDLE REAR	
8	507185D1	1	BULK SCOOP REAR	
9	507187D1	1	COWL FENDER, REAR	
10	507188D1	1	COWL REAR	
11	509434D1	1	FRAME	
12	509442D1	1	SHIELD	
13	512796D1	1	FENDER REAR	
14	514869D1	4	GROMMET	44.5MM ID X 51MM OD X 6MM
15	CH3D-6209	4	GROMMET	25.4MM ID X 31.8MM OD X 6.35M
16	CH7X-7729	3	FLAT WASHER	11MM X 25MM X 3MM
17	CH8T-4122	8	FLAT WASHER	17MM X 32MM X 3.5MM

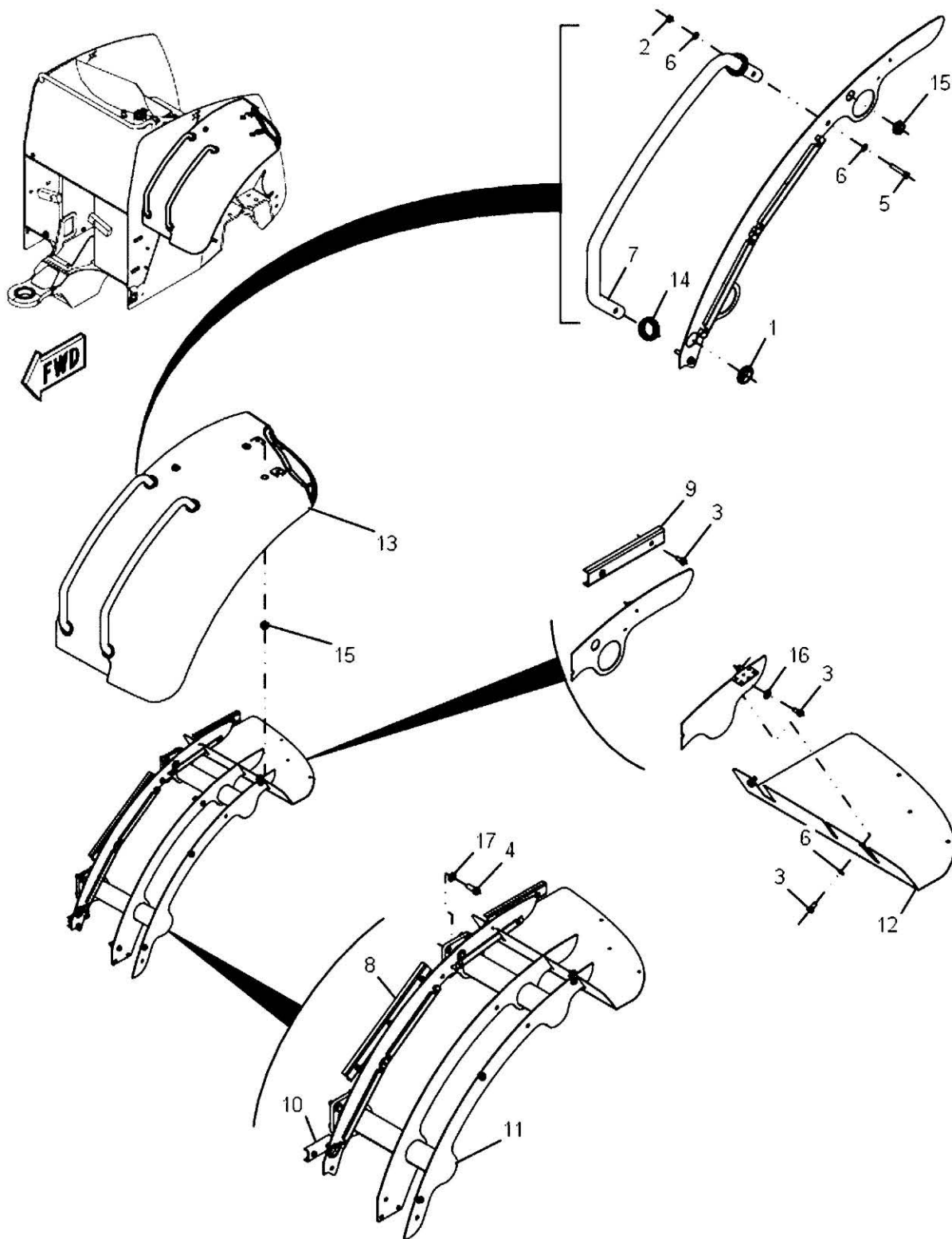
507189D2-1-



507189D2 - FENDER GROUP, REAR, RIGHT HAND

ITEM	PART NUMBER	QTY	DESCRIPTION COMMENTS	TECHNICAL SPECIFICATION
1	400040X1	12	HEXAGONAL HEAD BOLT	M10 X 1.5 X 20MM, CL10.9
2	400191X1	8	HEXAGONAL HEAD BOLT	M16 X 2 X 40MM, CL 10.9
3	400287X1	2	FLAT WASHER	11MM X 21MM X 2.5MM
4	507185D1	1	BULK SCOOP	
5	507187D1	1	COWL	
6	507188D1	1	COWL	
7	507190D1	1	FRAME	
8	509443D1	1	SHIELD	
9	512797D2	1	FENDER, RIGHT HAND	
10	CH3D-6209	3	GROMMET	25.4MM ID X 31.8MM OD X 6.35M
11	CH7X-7729	3	FLAT WASHER	11MM X 25MM X 3MM
12	CH8T-4122	8	FLAT WASHER	17MM X 32MM X 3.5MM

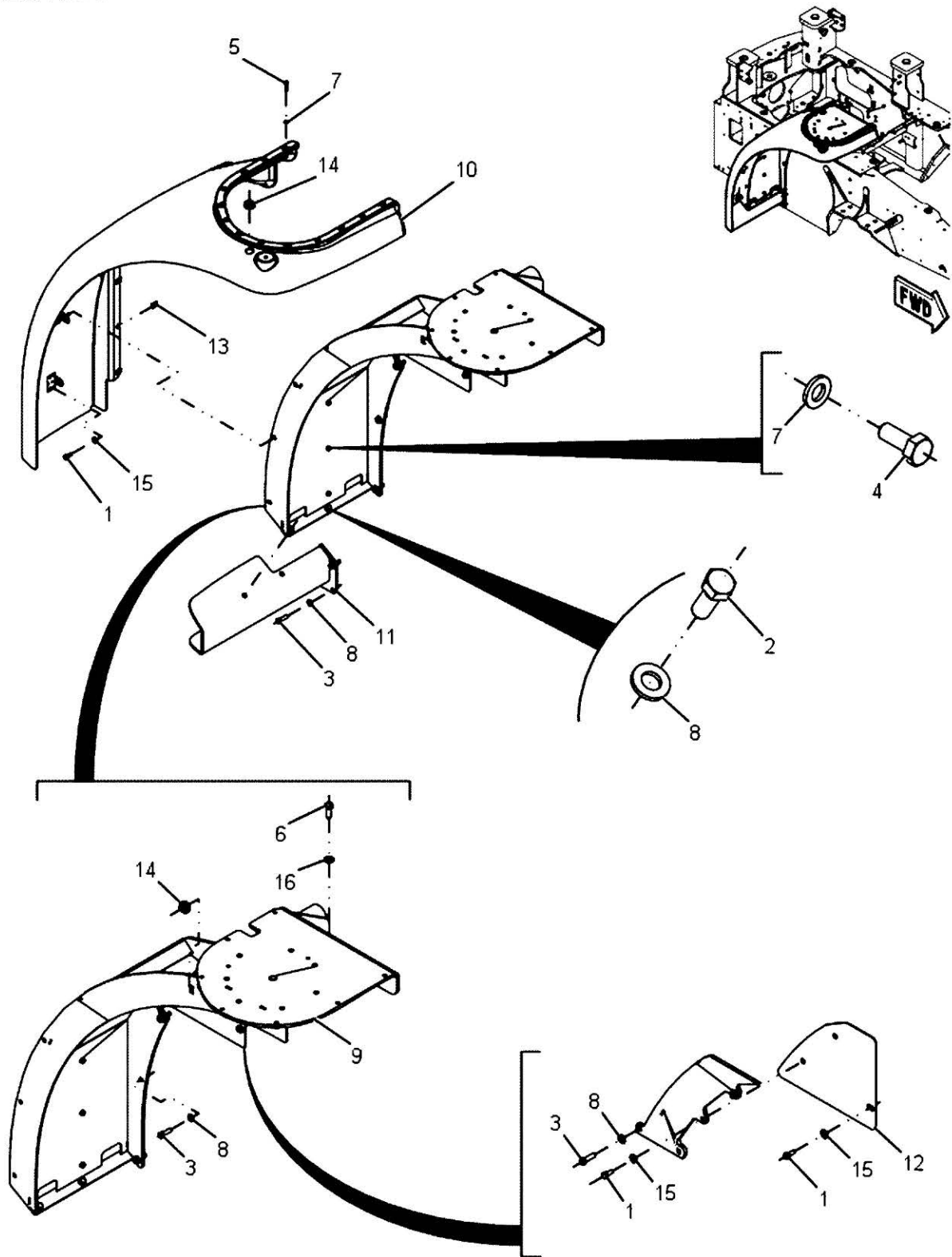
509433D2-1-



509433D2 - FENDER GROUP, REAR, LEFT HAND

ITEM	PART NUMBER	QTY	DESCRIPTION COMMENTS	TECHNICAL SPECIFICATION
1	AG519681	1	GROMMET	1.5"ID X 1.75"ID X 0.125"
2	7774664	4	HEX NUT	M10 X 1.5
3	400040X1	12	HEXAGONAL HEAD BOLT	M10 X 1.5 X 20MM, CL10.9
4	400191X1	8	HEXAGONAL HEAD BOLT	M16 X 2 X 40MM, CL 10.9
5	400239X1	4	HEXAGONAL HEAD BOLT	M10 X 1.5 X 60MM, CL10.9
6	400287X1	10	FLAT WASHER	11MM X 21MM X 2.5MM
7	506777D1	2	HANDLE	
8	507185D1	1	BULK SCOOP	
9	507187D1	1	COWL	
10	507188D1	1	COWL	
11	509434D1	1	FRAME	
12	509442D1	1	SHIELD	
13	512796D2	1	FENDER, LEFT HAND	
14	514869D1	4	GROMMET	44.5MM ID X 51MM OD X 6MM
15	CH3D-6209	4	GROMMET	25.4MM ID X 31.8MM OD X 6.35M
16	CH7X-7729	3	FLAT WASHER	11MM X 25MM X 3MM
17	CH8T-4122	8	FLAT WASHER	17MM X 32MM X 3.5MM

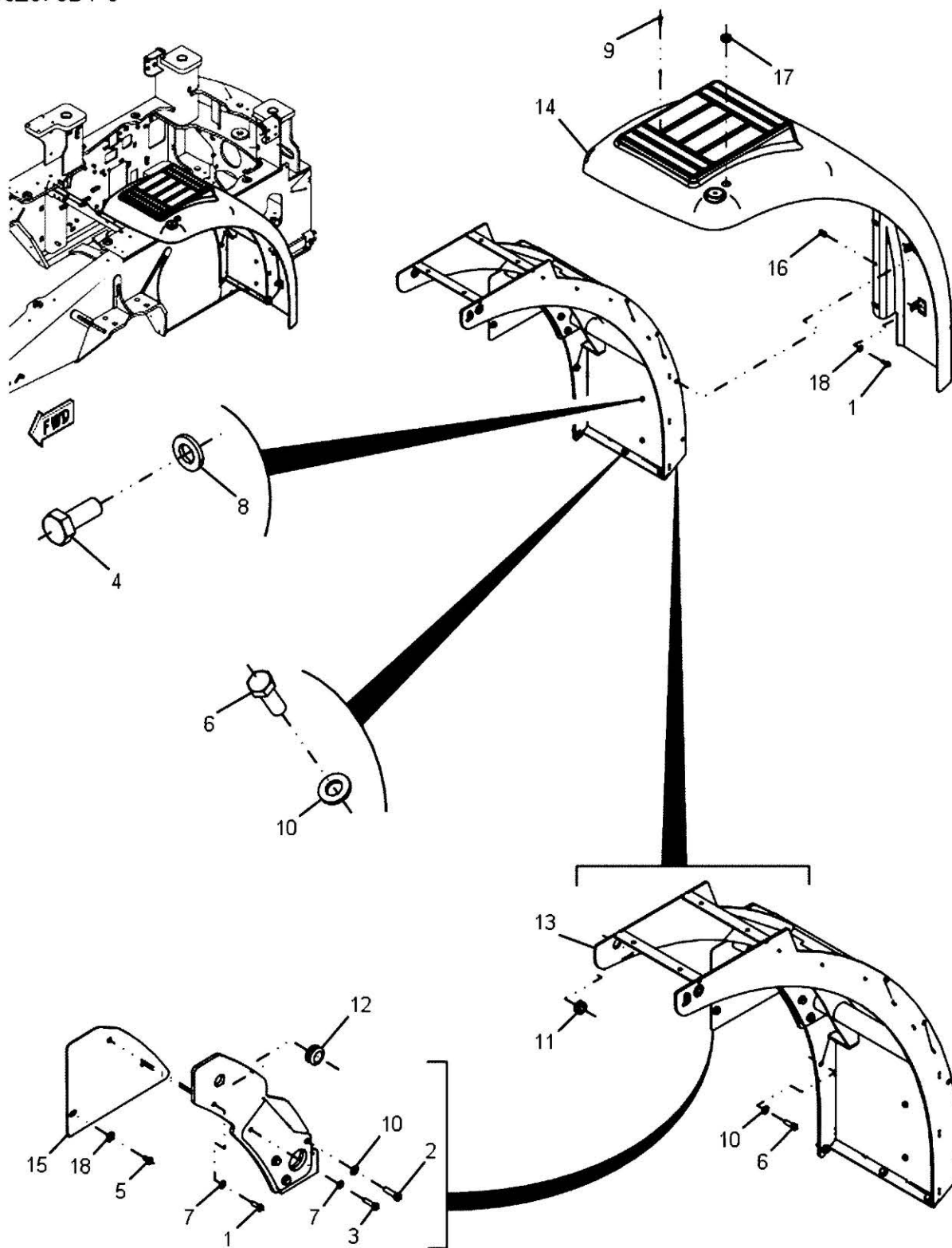
562877D1-7-



562877D1 - FENDER GROUP, FRONT, RIGHT HAND

ITEM	PART NUMBER	QTY	DESCRIPTION COMMENTS	TECHNICAL SPECIFICATION
1	400039X1	6	HEXAGONAL HEAD BOLT	M10 X 1.5 X 25MM, CL10.9
2	400041X1	2	HEXAGONAL HEAD BOLT	M12 X 1.75 X 30MM, CL10.9
3	400050X1	7	HEXAGONAL HEAD BOLT	M12 X 1.75 X 40MM, CL10.9
4	400053X1	3	HEXAGONAL HEAD BOLT	M8 X 1.25 X 20MM, CL10.9
5	400188X1	7	HEXAGONAL HEAD BOLT	M8 X 1.25 X 35MM, CL10.9
6	400191X1	4	HEXAGONAL HEAD BOLT	M16 X 2 X 40MM, CL 10.9
7	400339X1	10	FLAT WASHER	9MM X 16MM X 2MM
8	400357X1	9	FLAT WASHER	M12 X 25.5 X 3MM
9	562869D3	1	SUPPORT	
10	562873D2	1	FENDER, RIGHT HAND	
11	564098D1	1	SUPPORT, RIGHT HAND	
12	564102D1	1	SHIELD, RIGHT HAND	
13	CH154-9989	3	U-NUT	
14	CH3D-6209	2	GROMMET	25.4MM ID X 31.8MM OD X 6.35M
15	CH7X-7729	6	FLAT WASHER	11MM X 25MM X 3MM
16	CH8T-4122	4	FLAT WASHER	17MM X 32MM X 3.5MM

562878D1-5-



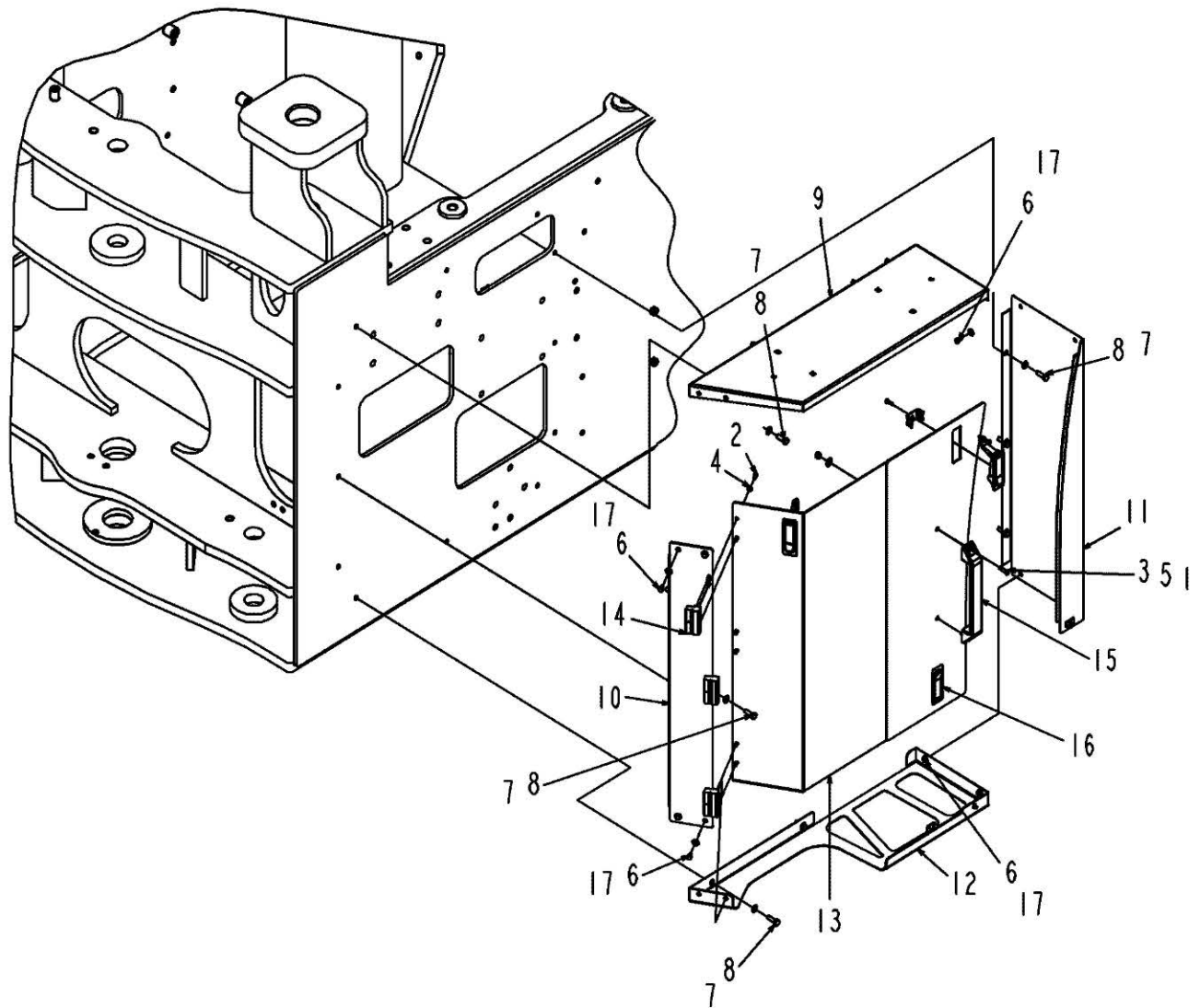
562878D1 - FENDER GROUP, FRONT, LEFT HAND

ITEM	PART NUMBER	QTY	DESCRIPTION COMMENTS	TECHNICAL SPECIFICATION
1	400039X1	4	HEXAGONAL HEAD BOLT	M10 X 1.5 X 25MM, CL10.9
2	400051X1	3	HEXAGONAL HEAD BOLT	M12 X 1.75 X 45MM, CL 10.9
3	400052X1	1	HEXAGONAL HEAD BOLT	M10 X 1.5 X 40MM, CL10.9
4	400053X1	3	HEXAGONAL HEAD BOLT	M8 X 1.25 X 20MM, CL10.9
5	400054X1	1	HEXAGONAL HEAD BOLT	M10 X 1.5 X 16MM, CL10.9
6	400064X1	4	HEXAGONAL HEAD BOLT	M12 X 1.75MM X 35MM, CL10.9
7	400287X1	2	FLAT WASHER	11MM X 21MM X 2.5MM
8	400339X1	3	FLAT WASHER	9MM X 16MM X 2MM
9	403280X1	4	BOLT	M8X1.25X20
10	400357X1	7	FLAT WASHER	M12 X 25.5 X 3MM
11	513982D1	2	GROMMET	19MM ID X 31.8MM OD X 11.9MM
12	518345D1	1	GROMMET	32MM ID X 40MM OD X 12.5MM
13	562899D2	1	SUPPORT, LEFT HAND	
14	562911D1	1	FENDER, LEFT HAND	
15	564100D1	1	SHIELD, LEFT HAND	
16	CH154-9989	3	U-NUT	
17	CH3D-6209	1	GROMMET	25.4MM ID X 31.8MM OD X 6.35M
18	CH7X-7729	4	FLAT WASHER	11MM X 25MM X 3MM

573286D1 - FENDER SUPPORT ASSEMBLY

ITEM	PART NUMBER	QTY	DESCRIPTION COMMENTS	TECHNICAL SPECIFICATION
1	400050X1	3	HEXAGONAL HEAD BOLT	M12 X 1.75 X 40MM, CL10.9
2	400064X1	8	HEXAGONAL HEAD BOLT	M12 X 1.75MM X 35MM, CL10.9
3	400357X1	11	FLAT WASHER	M12 X 25.5 X 3MM
4	564091D1	1	TANK SUPPORT	
5	564094D1	1	SUPPORT	

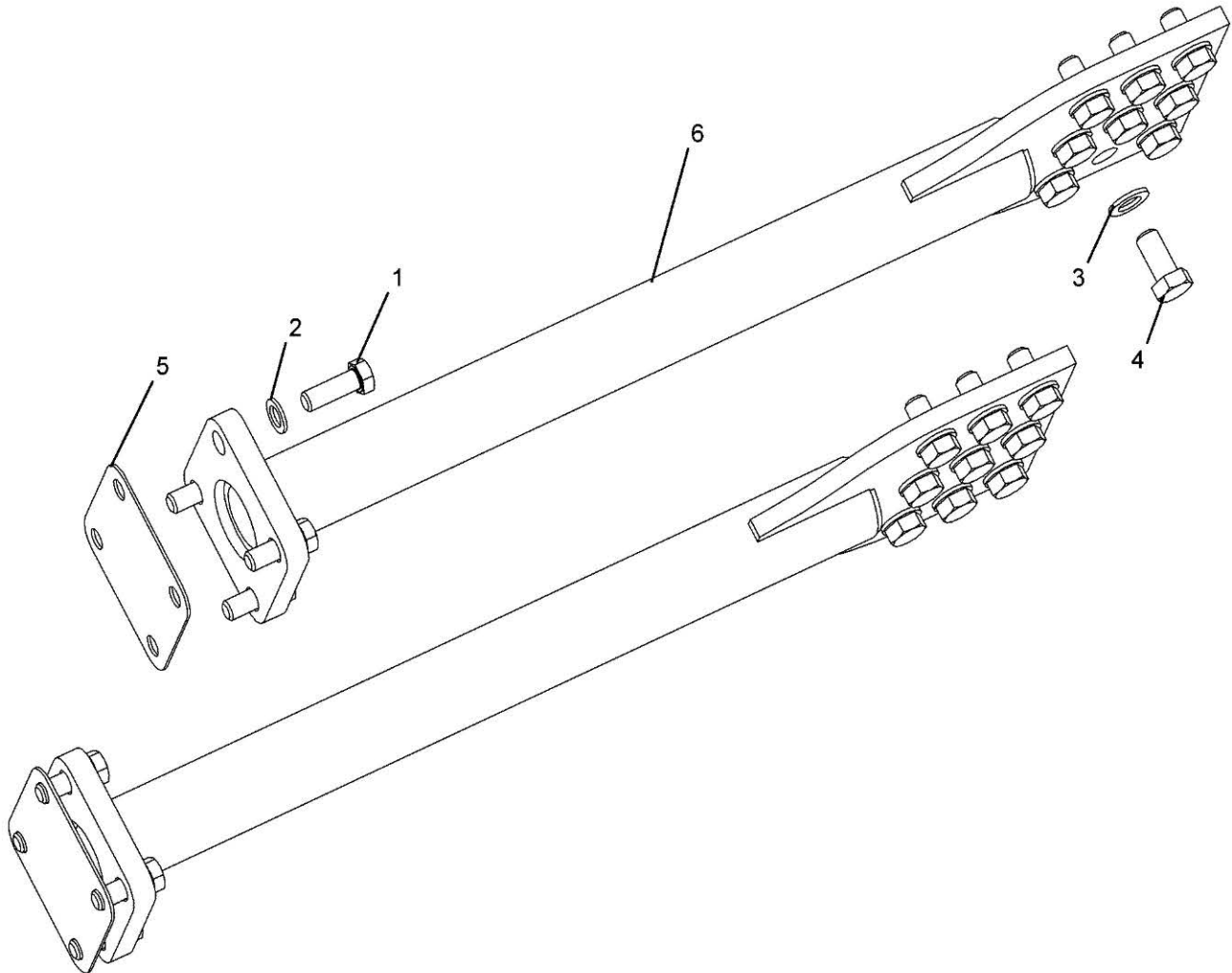
508657D1-07-V280



508657D1 - SERVICE CABINET GROUP

ITEM	PART NUMBER	QTY	DESCRIPTION COMMENTS	TECHNICAL SPECIFICATION
1	AG027275	2	HEX LOCKNUT	1/4"-20
2	WR55027	12	SCREW	
3	AG515120	2	MACHINE SCREW	1/4"-20 X 1", SS, PHILLIPS HD
4	AG520879	12	FLAT WASHER	M6, ZINC
5	AG550507	2	FLAT WASHER	1/4"
6	400223X1	9	HEXAGONAL HEAD BOLT	M6 X 1 X 12MM, CL10.9
7	400339X1	11	FLAT WASHER	9MM X 16MM X 2MM
8	400341X1	11	HEXAGONAL HEAD BOLT	M8 X 1.25 X 25MM
9	511528D2	1	PANEL CABINET	
10	511531D1	1	PANEL SERVICE	
11	511532D1	1	FRAME	
12	511535D1	1	FRAME	
13	511537D1	1	COVER DOOR	
14	511542D1	3	HINGE	
15	511548D1	1	GRAB HANDLE	
16	516904D1	3	LEVER ADJUSTABLE	
17	CH8T-4205	9	FLAT WASHER	7.2MM X 14.5MM X 2MM

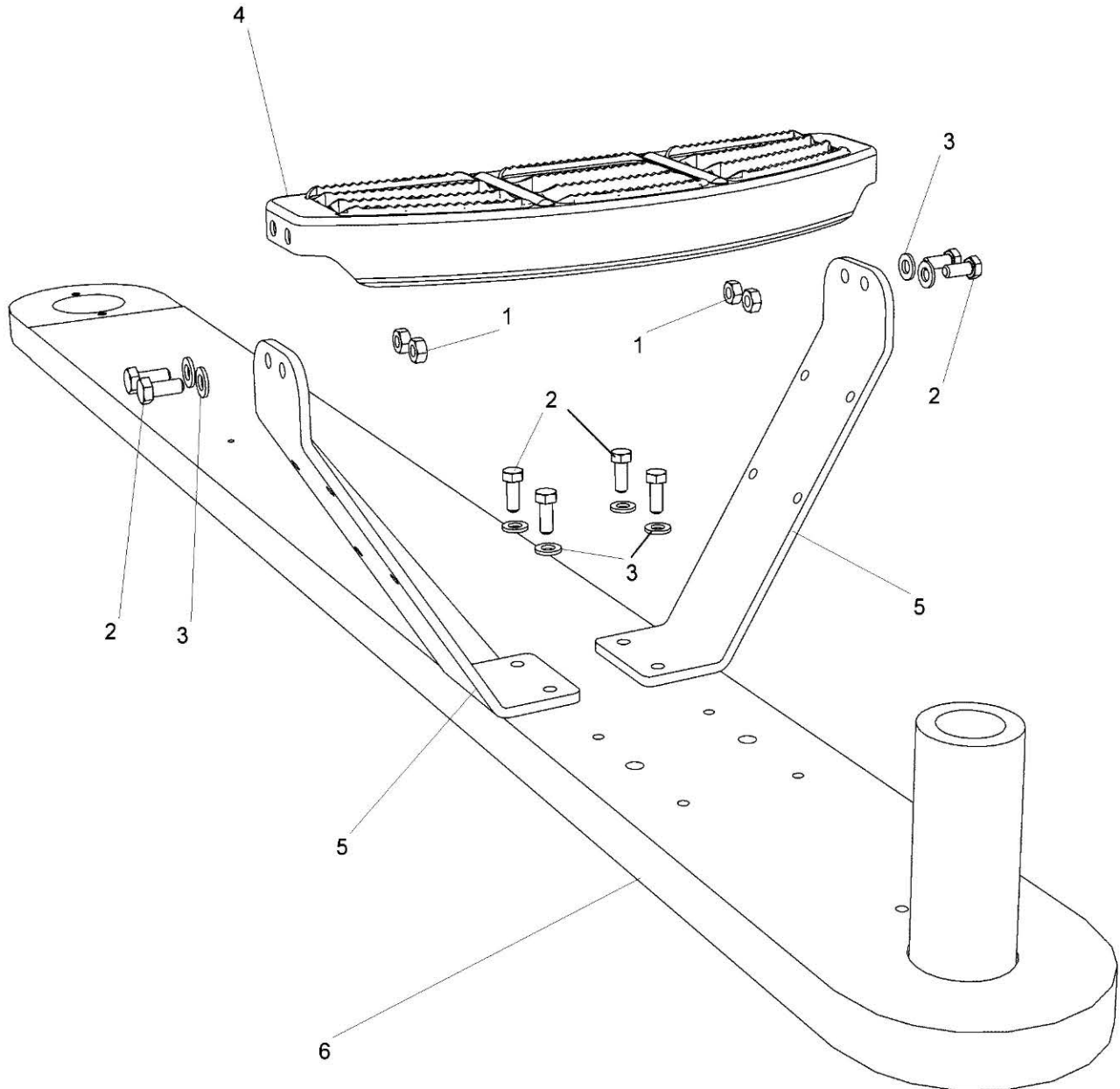
523050D1-03-T953



523050D1 - HITCH BRACE GROUP

ITEM	PART NUMBER	QTY	DESCRIPTION COMMENTS	TECHNICAL SPECIFICATION
1	400031X1	8	HEXAGONAL HEAD BOLT	M20 X 2.5 X 60MM, CL10.9
2	400080X1	8	FLAT WASHER	22MM X 35MM X 3.5MM
3	400081X1	18	FLAT WASHER	26MM X 44MM X 4MM
4	400232X1	18	HEXAGONAL HEAD BOLT	M24 X 3 X 50MM, CL10.9
5	527282D1	X	SHIM	
6	530378D1	2	SUPPORT BRACE HITCH	

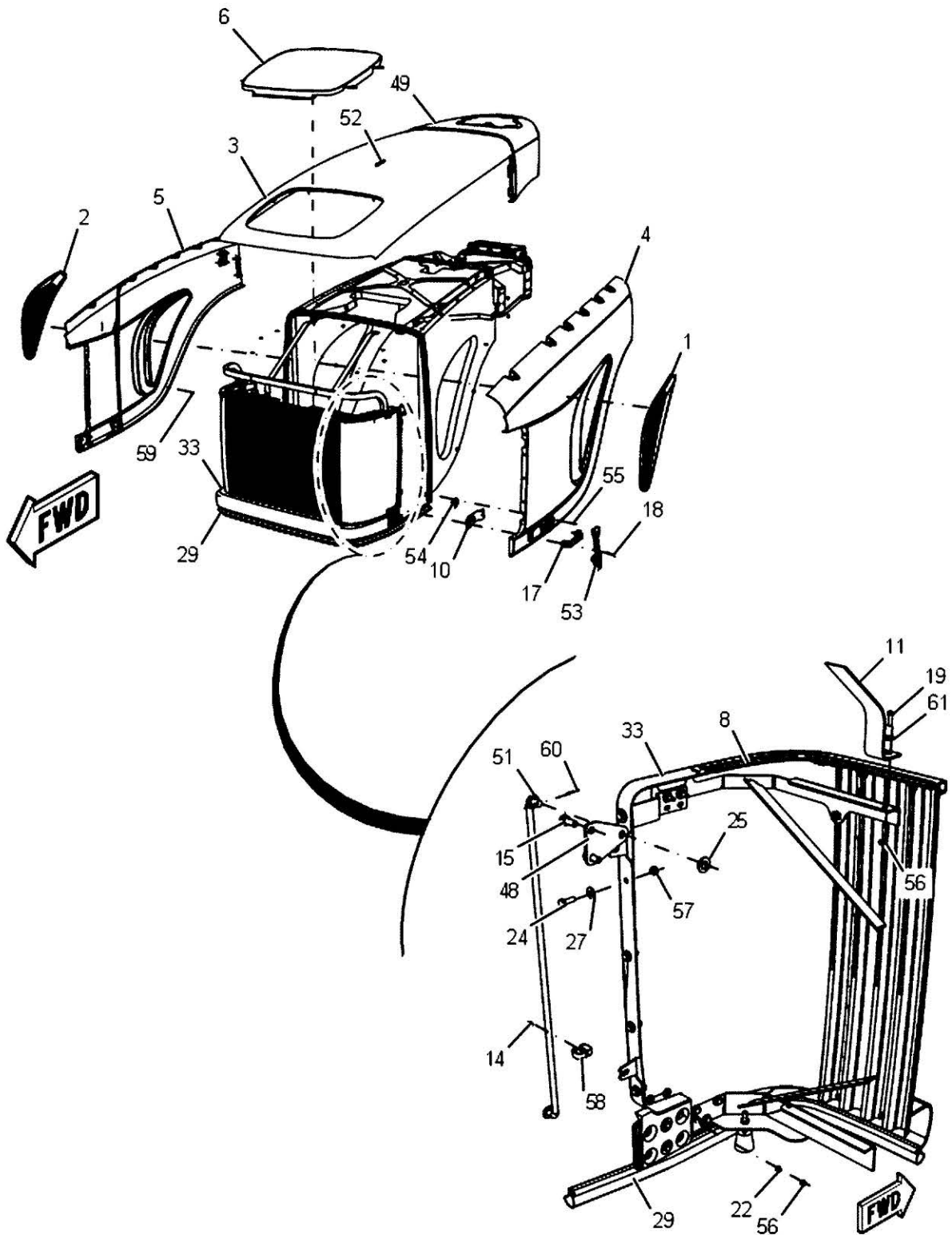
538675D1-01-T948



538675D1 - CENTER LINK STEP KIT

ITEM	PART NUMBER	QTY	DESCRIPTION COMMENTS	TECHNICAL SPECIFICATION
			APPLIES TO ALL TRACTORS BUILT.	
1	7774664	4	HEX NUT	M10 X 1.5
2	400039X1	8	HEXAGONAL HEAD BOLT	M10 X 1.5 X 25MM, CL10.9
3	400287X1	8	FLAT WASHER	11MM X 21MM X 2.5MM
4	517727D1	1	STEP	148MM X 510MM WIDE
5	530132D1	2	BRACKET STEP	
6	538674D1	1	LINK ARTICULATION	

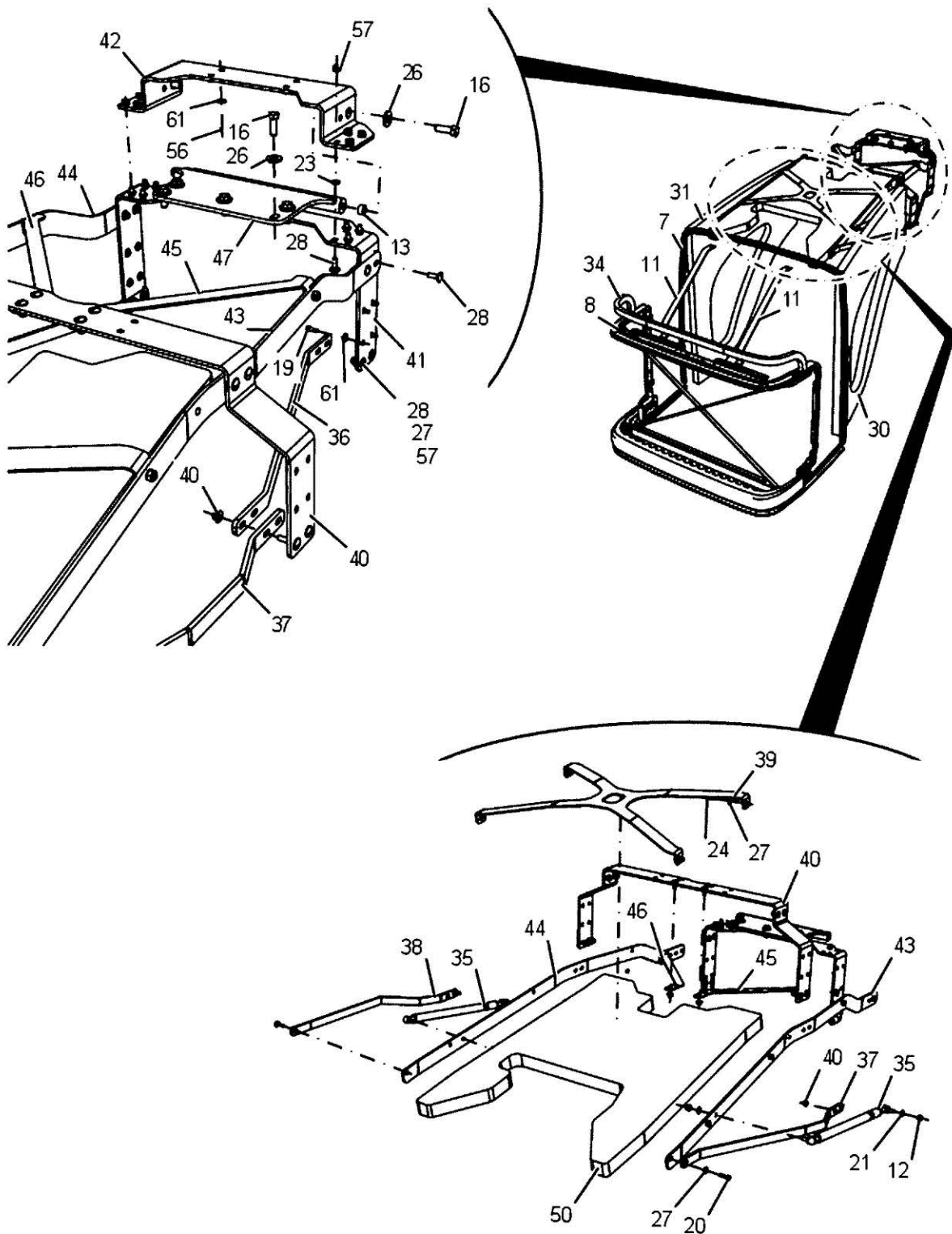
568318D2-8-01-



568318D2 - HOOD GROUP

ITEM	PART NUMBER	QTY	DESCRIPTION COMMENTS	TECHNICAL SPECIFICATION
	216-6429	1	BRACKET	
1	158-5934	1	LEFT HAND GRILLE	
2	158-5935	1	RIGHT HAND GRILLE	
3	158-5950	1	ENGINE HOOD	
4	158-5952	1	LEFT HAND PANEL	
5	158-5953	1	RIGHT HAND PANEL	
6	188-0514	1	GRILLE	
8	192-6518	1	HOOD SEAL	
10	223-5887	2	HOOD REINFORCEMENT	
11	223-5887	2	HOOD REINFORCEMENT	
14	400017X1	1	HEX SOCKET HEAD BOLT	M4 X 0.7 X 8MM CL12.9
15	400039X1	2	HEXAGONAL HEAD BOLT	M10 X 1.5 X 25MM, CL10.9
17	400115X1	1	GRAB HANDLE	PLASTIC
18	400162X1	2	BOLT	M8X1.25X50 HSHD 12.9
19	400221X1	10	HEXAGONAL HEAD BOLT	M6 X 1 X 20MM, CL10.9
22	400310X1	14	FLAT WASHER	6.6MM ID X 12MM OD X 2MM
24	400341X1	14	HEXAGONAL HEAD BOLT	M8 X 1.25 X 25MM
25	400357X1	1	FLAT WASHER	M12 X 25.5 X 3MM
27	400599X1	32	FLAT WASHER	M8 X 20.5MM OD X 2MM THK
29	501148D1	1	SEAL	
33	512269D1	1	GRILLE	
48	574027D2	1	MOUNTING PLATE	PROP ROD
49	574147D1	1	COVER	
51	579617D1	1	PROP ROD	
52	CH100-4036	1	MARKER	
53	CH113-8880	2	LATCH ASSEMBLY	
54	CH114-5793	2	KEEPER	
55	CH123-4950	12	PAN HEAD MACHINE SCREW	M6 X 1 X 16MM
56	CH129-3178	59	HEX LOCKNUT	M6 X 1MM
57	CH131-3540	24	HEX LOCKNUT	M8 X 1.25
58	CH216-6428	1	TUBE CLIP	
59	CH217-5909	8	SELF-TAPPING SCREW	1/4"-15 X 12.7MM
60	CH3B-4611	1	COTTER PIN	3/32"
61	CH5P-4115	51	FLAT WASHER	7.2MM X 19MM X 2MM

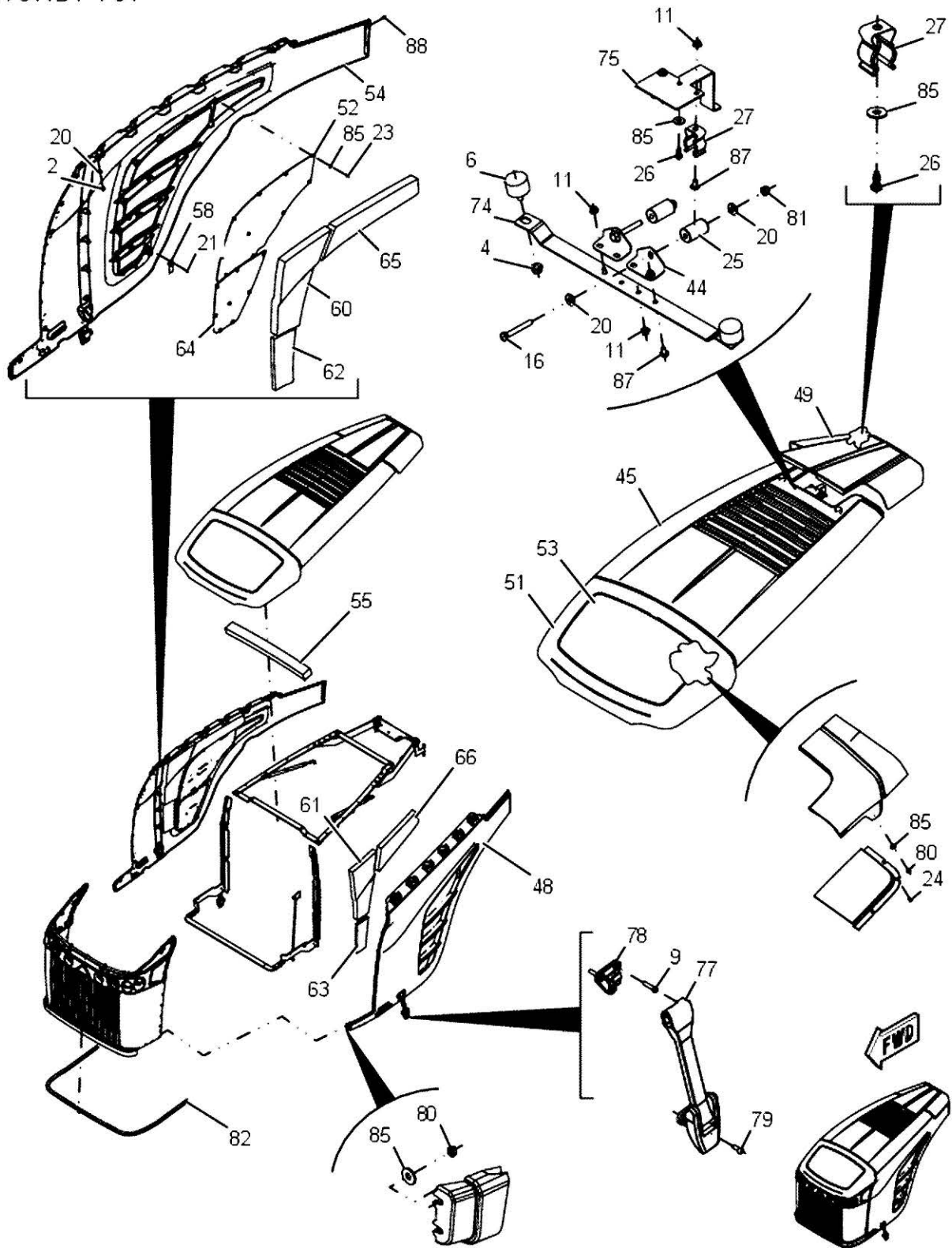
568318D2-8-02-



568318D2 - HOOD GROUP

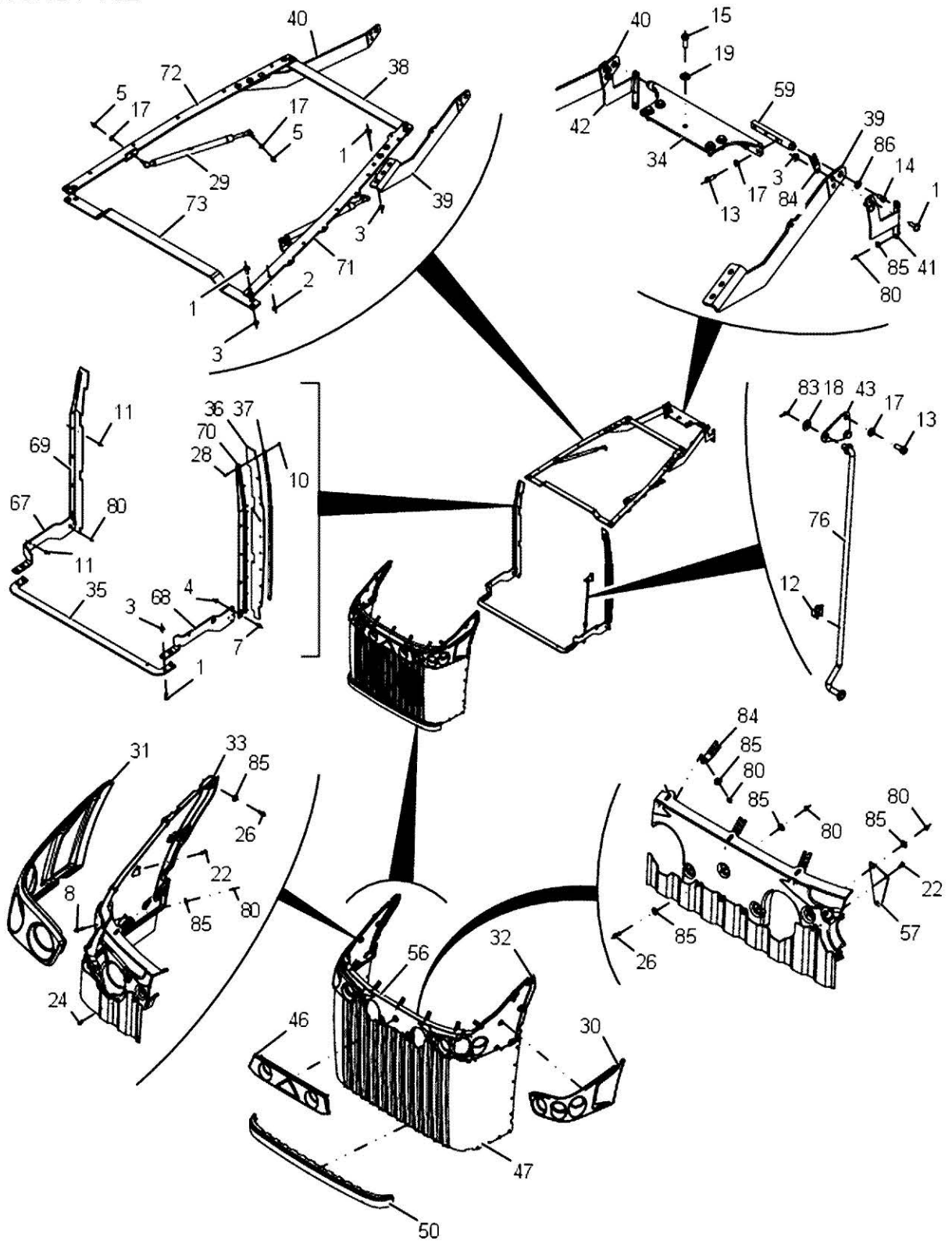
ITEM	PART NUMBER	QTY	DESCRIPTION COMMENTS	TECHNICAL SPECIFICATION
7	192-6516	1	SEAL	
8	192-6518	1	HOOD SEAL	
11	223-5887	2	HOOD REINFORCEMENT	
12	7774664	4	HEX NUT	M10 X 1.5
13	6503451	2	SPACER	
16	400064X1	7	HEXAGONAL HEAD BOLT	M12 X 1.75MM X 35MM, CL10.9
19	400221X1	10	HEXAGONAL HEAD BOLT	M6 X 1 X 20MM, CL10.9
20	400245X1	2	HEXAGONAL HEAD BOLT	M8 X 1.25 X 30MM, CL10.9
21	400287X1	6	FLAT WASHER	11MM X 21MM X 2.5MM
23	400339X1	8	FLAT WASHER	9MM X 16MM X 2MM
24	400341X1	14	HEXAGONAL HEAD BOLT	M8 X 1.25 X 25MM
26	400381X1	7	FLAT WASHER	13.5MM X 30MM X 4MM
27	400599X1	32	FLAT WASHER	M8 X 20.5MM OD X 2MM THK
28	402431X1	16	CARRIAGE BOLT	M8 X 1.25 X25MM
30	502650D1	1	INSULATION	
31	502651D1	1	INSULATION	
34	524005D1	1	SEAL	
35	531232D1	2	GAS SPRING SEE PAGE 12-0018	
	508716D1	2	TOGGLE	
36	539411D1	2	BRACE	
37	539412D1	1	BRACE	LH
38	539413D1	1	BRACE	RH
39	539932D1	1	BRACE	
40	549911D1	1	BRACKET	GROUP
41	555010D1	1	BRACKET	
42	555012D1	1	BRACKET	
43	555810D1	1	PLATE	LH
44	555812D1	1	PLATE, RIGHT HAND	
45	555814D1	1	BRACKET	
46	555815D1	1	BRACKET	
47	568319D1	1	PLATE	
50	574375D1	1	HOOD INSULATOR	
56	CH129-3178	59	HEX LOCKNUT	M6 X 1MM
57	CH131-3540	24	HEX LOCKNUT	M8 X 1.25
61	CH5P-4115	51	FLAT WASHER	7.2MM X 19MM X 2MM

577811D1-4-01



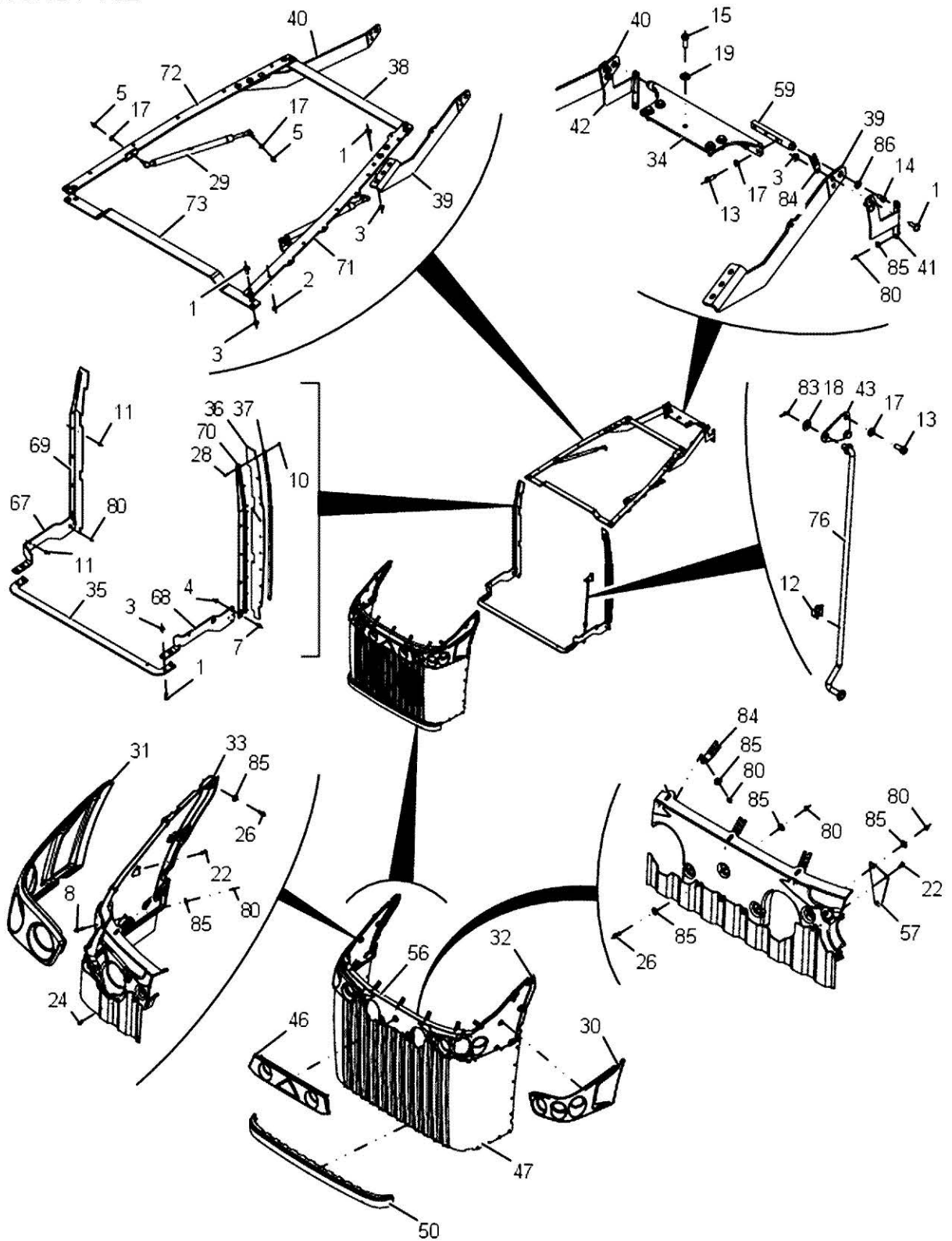
ITEM	PART NUMBER	QTY	DESCRIPTION COMMENTS	TECHNICAL SPECIFICATION
2	WR55280	12	HEX FLANGE NUT	M8 X 1.25
4	AG520885	4	HEX FLANGE NUT	3/8"-16, GR5
6	AG522436	2	RUBBER MOUNT	1-1/2" OD, 3/8"-16
9	3010372X1	6	SCREW	M6X25-ISO 10.9-ZN
11	3019123X1	16	HEX FLANGE NUT	M6 (1.0) CL10 ZN
16	400242X1	2	HEXAGONAL HEAD BOLT	M8 X 1.25 X 60MM
20	400599X1	6	FLAT WASHER	M8 X 20.5MM OD X 2MM THK
21	401717X1	4	CROSS RECESS PAN HEAD MACHINE SCREW	#10-16 X 25.4MM
23	4295932M1	36	SELF TAPING SCREW	
24	4296094M1	60	SCREW	M5X10
25	4296142M1	2	ROLL	
26	4349241M1	12	SCREW	EJOT WN1452 K60X12
27	4352281M1	4	CLIP	
44	574319D1	2	LATCH SUPPORT	
45	577812D1	1	TOP PANEL	HOOD
48	577817D1	1	SIDE PANEL, LEFT HAND	HOOD
49	577819D1	1	COVER	COMPARTMENT
51	577822D1	1	FRONT PANEL	HOOD
52	577824D2	2	HOOD GRILLE	SIDE
53	577825D1	1	HOOD GRILLE	TOP
54	577826D1	1	SIDE PANEL, RIGHT HAND	HOOD
55	577828D1	1	HOOD SEAL	
58	583048D2	2	HOOD BRACKET	STOP
60	584902D1	1	INSULATION, RIGHT HAND	HOOD, TOP
61	584903D1	1	INSULATION, LEFT HAND	HOOD, TOP
62	584904D1	1	INSULATION, RIGHT HAND	HOOD, BOTTOM
63	584905D1	1	INSULATION, LEFT HAND	HOOD, BOTTOM
64	585270D1	2	HOOD GRILLE	SIDE
65	585440D1	1	INSULATION, RIGHT HAND	HOOD, REAR
66	585441D1	1	INSULATION, LEFT HAND	HOOD, REAR
74	595658D1		LATCH SUPPORT	HOOD
75	595659D1	1	HOOD BRACKET	COVER
77	CH113-8880	2	LATCH ASSEMBLY	
78	CH114-5793	2	KEEPER	
79	CH123-4950	6	PAN HEAD MACHINE SCREW	M6 X 1 X 16MM
80	CH129-3178	35	HEX LOCKNUT	M6 X 1MM
81	CH131-3540	2	HEX LOCKNUT	M8 X 1.25
82	CH216-9138	-	SEAL BULK: 275 CM	25MM X 25MM, CM BULK
85	CH5P-4115	77	FLAT WASHER	7.2MM X 19MM X 2MM
87	CH9X-2042	4	TORX HEAD SCREW	M6 X 1 X 12MM, T30
88	CH9X-2045	4	TORX HEAD SCREW	M6 X 1 X 20MM, T30

577811D1-4-02



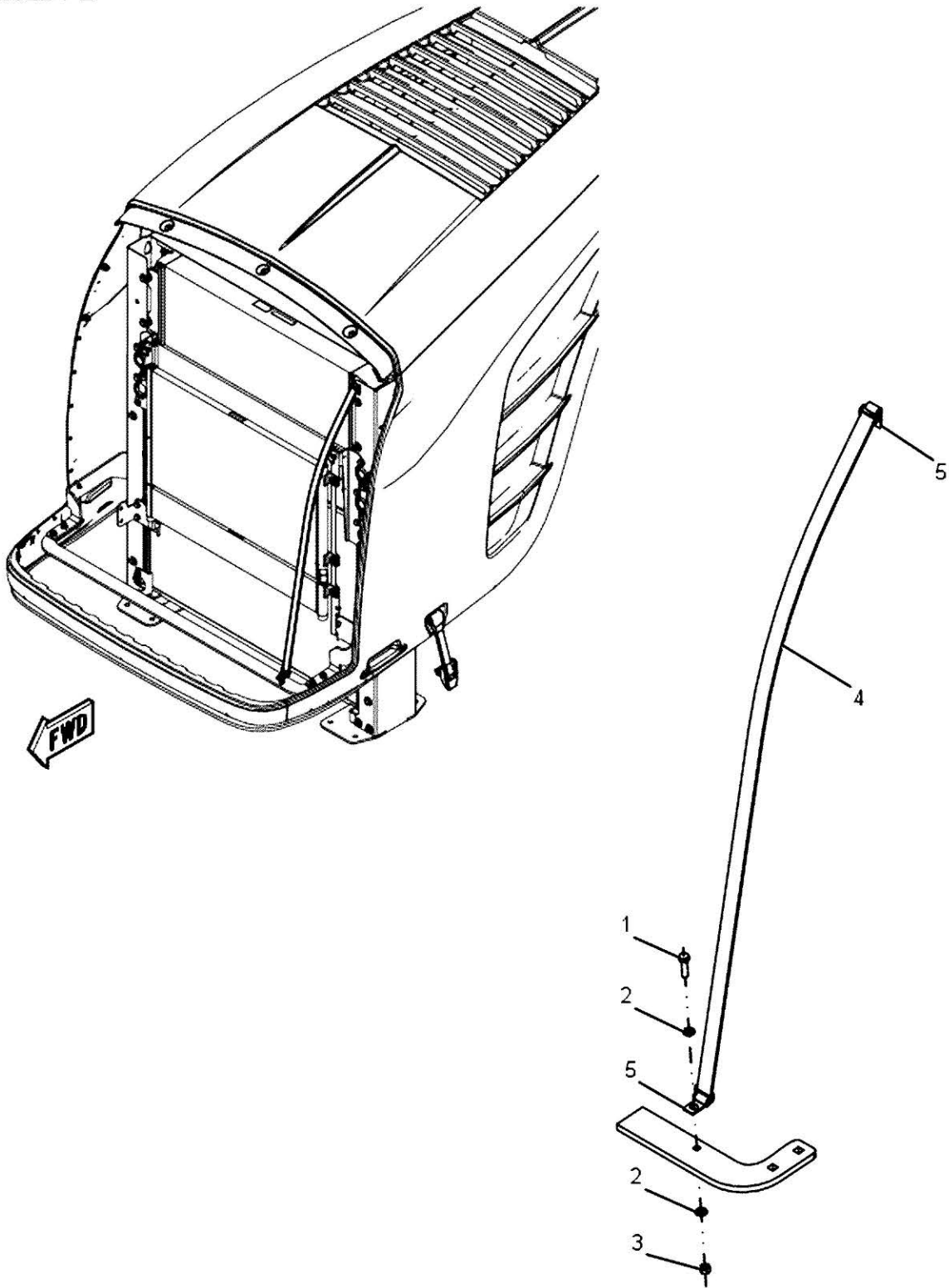
ITEM	PART NUMBER	QTY	DESCRIPTION COMMENTS	TECHNICAL SPECIFICATION
1	WR55174	22	CARRIAGE BOLT	M10 X 1.5 X 30MM
2	WR55280	12	HEX FLANGE NUT	M8 X 1.25
3	WR55289	22	HEX FLANGE NUT	M10 X 1.5, CL10
4	AG520885	4	HEX FLANGE NUT NOT SHOWN	3/8"-16, GR5
5	7774664	4	HEX NUT	M10 X 1.5
7	AG522799	2	CARRIAGE BOLT NOT SHOWN	3/8"-16NC X .3/4" CRG
8	3009183X1	4	HEXAGON FLANGE BOLT	M6 X 20 (1.0) CL10.9 ZN
10	3019122X1	20	HEX FLANGE NUT	M5 CL10 ZN
11	3019123X1	16	HEX FLANGE NUT	M6 (1.0) CL10 ZN
12	3798993M1	1	CLIP	
13	400039X1	8	HEXAGONAL HEAD BOLT	M10 X 1.5 X 25MM, CL10.9
14	400040X1	2	HEXAGONAL HEAD BOLT	M10 X 1.5 X 20MM, CL10.9
15	400064X1	5	HEXAGONAL HEAD BOLT	M12 X 1.75MM X 35MM, CL10.9
17	400287X1	12	FLAT WASHER	11MM X 21MM X 2.5MM
18	400357X1	1	FLAT WASHER	M12 X 25.5 X 3MM
19	400381X1	5	FLAT WASHER	13.5MM X 30MM X 4MM
22	4294802M1	17	SCREW	EJOT KL40X14
24	4296094M1	60	SCREW	M5X10
26	4349241M1	12	SCREW	EJOT WN1452 K60X12
28	505003D1	20	HEX SOCKET BUTTON HEAD BOLT	M5 X 0.8 X 20MM, CL10.9
29	531232D1	2	GAS SPRING	
	508716D1	2	TOGGLE	
30	569847D2	1	BEZEL LEFT	
31	569849D2	1	BEZEL RIGHT	
32	569862D2	1	HOOD SUPPORT, LEFT HAND	
33	569863D2	1	HOOD SUPPORT, RIGHT HAND	
34	573183D1	1	HOOD BRACKET	HINGE
35	573184D1	1	SUPPORT BRACE	HOOD, LOWER
36	573185D1	2	HOOD SEAL	
37	573186D1	2	BACKUP STRIP	
38	573191D1	1	BAR-REAR	
39	573193D1	1	SUPPORT ARM, LEFT HAND	HOOD
40	573194D1	1	SUPPORT ARM, RIGHT HAND	HOOD
41	573195D1	1	HOOD BRACKET	LH, REAR
42	573196D1	1	HOOD BRACKET	RH, REAR
43	574027D2	1	MOUNTING PLATE	PROP ROD
46	577814D1	1	BEZEL	LAMP, CENTER
47	577816D1	1	FRONT GRILLE	
50	577820D1	1	ASSEMBLY	FOUNDATION
56	577829D1	1	FRONT SUPPORT	BEZEL
57	577830D1	1	MOUNTING PLATE	HORN
59	584361D1	2	SHAFT	HINGE, HOOD

577811D1-4-02



ITEM	PART NUMBER	QTY	DESCRIPTION COMMENTS	TECHNICAL SPECIFICATION
67	586779D1	1	HOOD BRACKET	RH, SIDE
68	586780D1	1	HOOD BRACKET	LH, SIDE
69	586781D1	1	RIGHT HAND SEAL PLATE	SUPPORT
70	586782D1	1	LEFT HAND SEAL PLATE	SUPPORT
71	587761D1	1	LEFT HAND BAR	
72	587762D1	1	RIGHT HAND BAR	
73	587763D1	1	FRONT BAR	
76	597300D1	1	PROP ROD	HOOD
80	CH129-3178	35	HEX LOCKNUT	M6 X 1MM
83	CH3B-4611	1	COTTER PIN	3/32"
84	CH4P-7581	7	LADDER CLIP	12.5MM X 15D
85	CH5P-4115	77	FLAT WASHER	7.2MM X 19MM X 2MM
86	CH7X-7729	2	FLAT WASHER	11MM X 25MM X 3MM

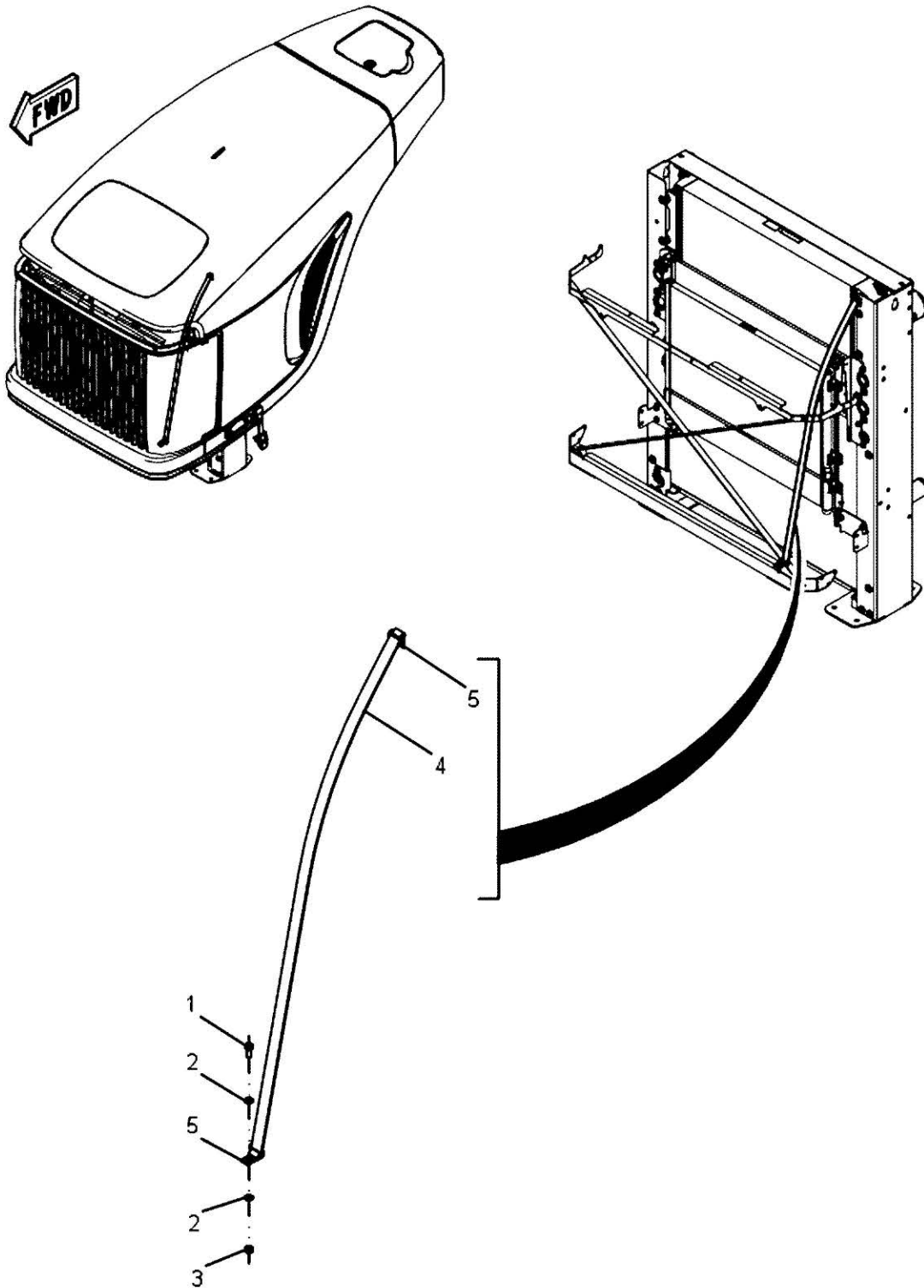
580352D1-2-



580352D1 - HOOD STRAP GROUP

ITEM	PART NUMBER	QTY	DESCRIPTION COMMENTS	TECHNICAL SPECIFICATION
1	400245X1	1	HEXAGONAL HEAD BOLT	M8 X 1.25 X 30MM, CL10.9
2	400339X1	2	FLAT WASHER	9MM X 16MM X 2MM
3	400340X1	1	HEX NUT	M8 X 1.25MM X 13MM
4	511523D1	1	STRAP	
5	CH5P-9085	2	P-CLIP	7.94MM ID

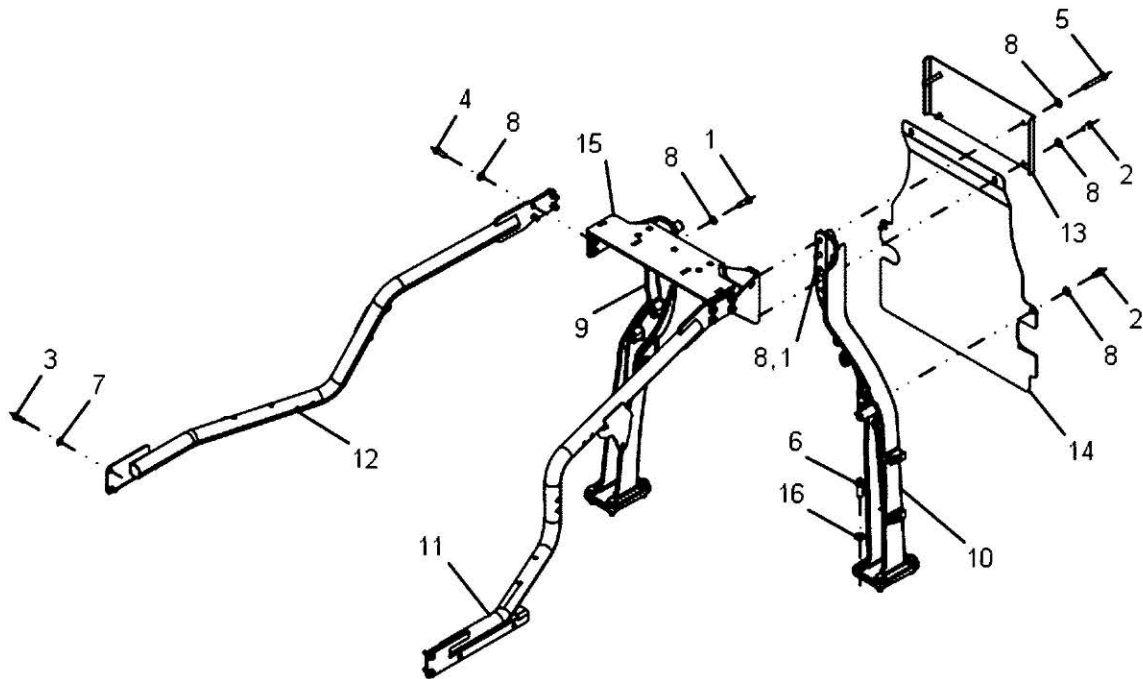
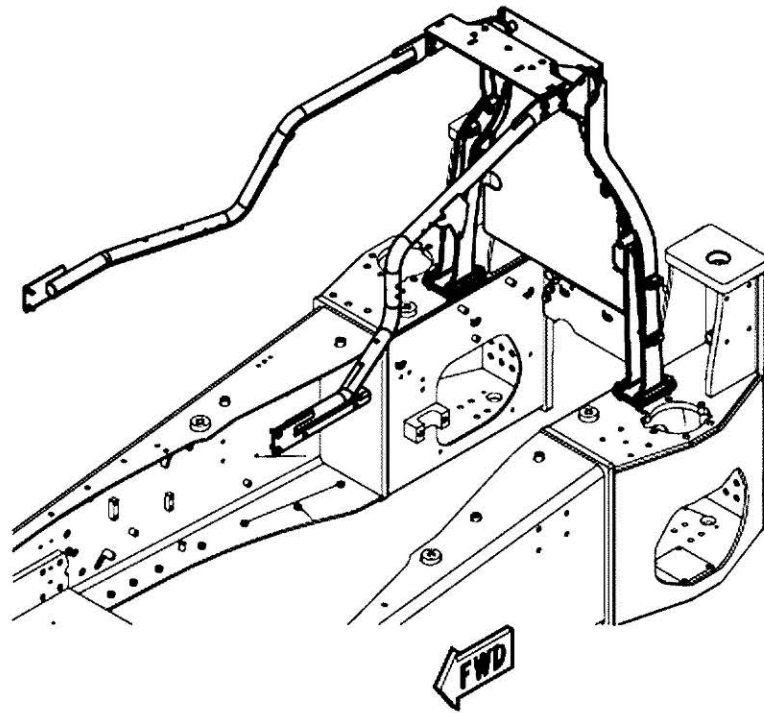
575107D1-1-



575107D1 - HOOD STRAP GROUP

ITEM	PART NUMBER	QTY	DESCRIPTION COMMENTS	TECHNICAL SPECIFICATION
1	400053X1	1	HEXAGONAL HEAD BOLT	M8 X 1.25 X 20MM, CL10.9
2	400339X1	2	FLAT WASHER	9MM X 16MM X 2MM
3	400340X1	1	HEX NUT	M8 X 1.25MM X 13MM
4	511523D1	1	STRAP	
5	CH5P-9085	2	P-CLIP	7.94MM ID

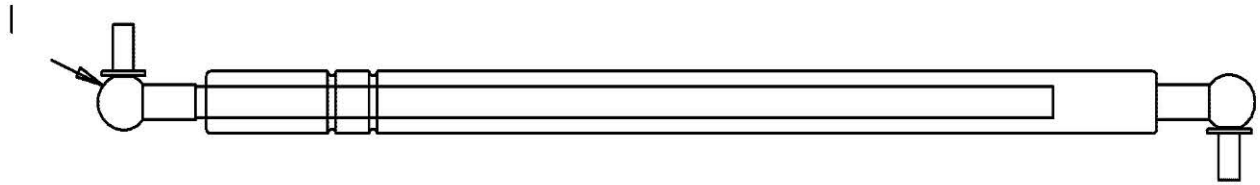
570478D2-3



570478D2 - HOOD SUPPORT GROUP

ITEM	PART NUMBER	QTY	DESCRIPTION COMMENTS	TECHNICAL SPECIFICATION
1	400050X1	4	HEXAGONAL HEAD BOLT	M12 X 1.75 X 40MM, CL10.9
2	400055X1	4	HEXAGONAL HEAD BOLT	M12 X 1.75 X 25MM, CL10.9
3	400058X1	4	HEXAGONAL HEAD BOLT	M10 X 1.5 X 30MM
4	400064X1	8	HEXAGONAL HEAD BOLT	M12 X 1.75MM X 35MM, CL10.9
5	400241X1	2	HEXAGONAL HEAD BOLT	M12 X 1.75 X 80MM, CL10.9
6	400244X1	8	BOLT	M16 X 2 X 45MM, CL10.9
7	400287X1	4	FLAT WASHER	11MM X 21MM X 2.5MM
8	400357X1	18	FLAT WASHER	M12 X 25.5 X 3MM
9	583191D1	1	HOOD SUPPORT	
10	555830D2	1	SUPPORT BRACKET	
11	568189D1	1	TUBE	
12	568190D2	1	TUBE	
13	569968D2	1	PLATE	
14	569969D2	1	PLATE	
15	572290D1	1	PLATE	
16	CH8T-4122	8	FLAT WASHER	17MM X 32MM X 3.5MM

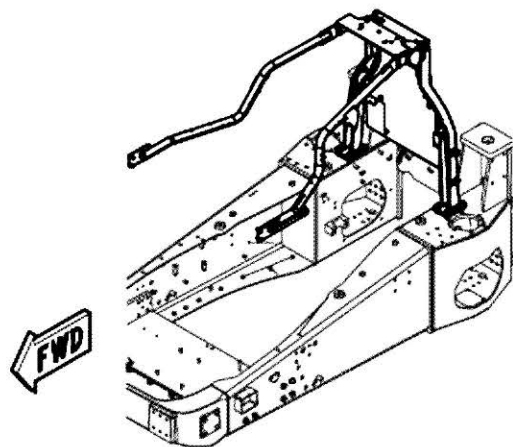
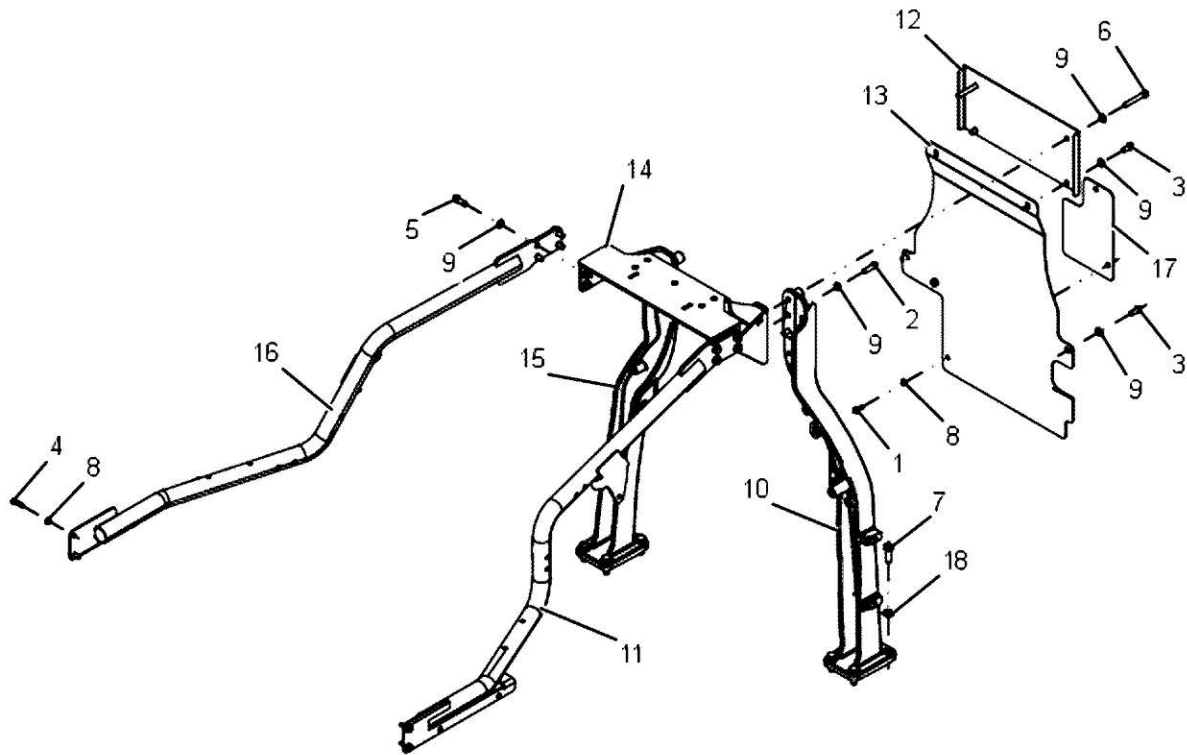
531232D1-01-V046



531232D1 - HOOD CLOSURE GAS STRUT

ITEM	PART NUMBER	QTY	DESCRIPTION COMMENTS	TECHNICAL SPECIFICATION
1	508716D1	2	TOGGLE	

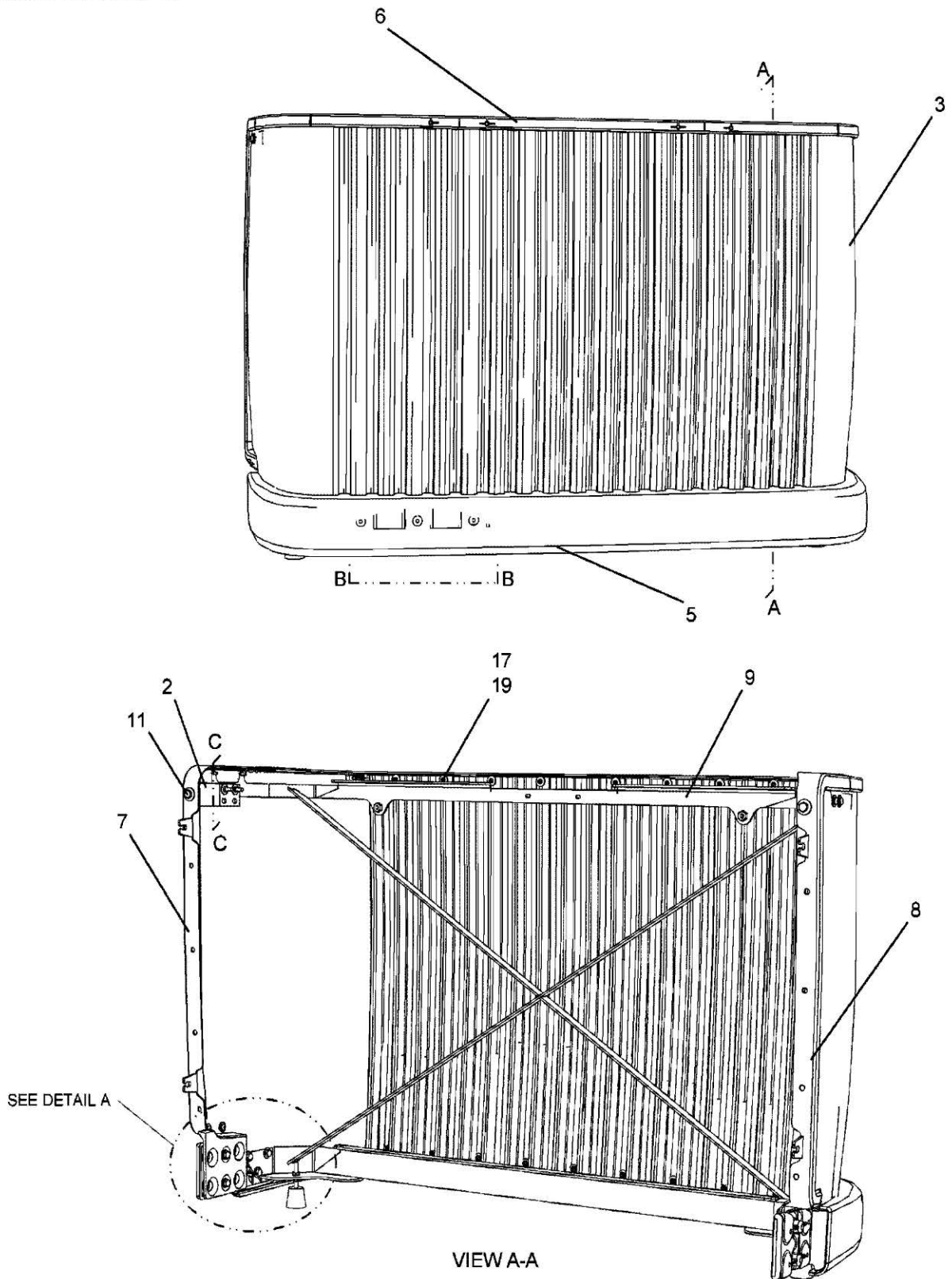
584004D1-3



584004D1 - HOOD SUPPORT GROUP - 2016

ITEM	PART NUMBER	QTY	DESCRIPTION COMMENTS	TECHNICAL SPECIFICATION
1	400040X1	1	HEXAGONAL HEAD BOLT	M10 X 1.5 X 20MM, CL10.9
2	400050X1	4	HEXAGONAL HEAD BOLT	M12 X 1.75 X 40MM, CL10.9
3	400055X1	4	HEXAGONAL HEAD BOLT	M12 X 1.75 X 25MM, CL10.9
4	400058X1	4	HEXAGONAL HEAD BOLT	M10 X 1.5 X 30MM
5	400064X1	8	HEXAGONAL HEAD BOLT	M12 X 1.75MM X 35MM, CL10.9
6	400241X1	2	HEXAGONAL HEAD BOLT	M12 X 1.75 X 80MM, CL10.9
7	400244X1	8	BOLT	M16 X 2 X 45MM, CL10.9
8	400287X1	6	FLAT WASHER	11MM X 21MM X 2.5MM
9	400357X1	18	FLAT WASHER	M12 X 25.5 X 3MM
10	555830D2	1	SUPPORT BRACKET	
11	568189D1	1	TUBE	
12	569968D2	1	PLATE	
13	569969D3	1	PLATE	
14	572290D1	1	PLATE	
15	583191D1	1	HOOD SUPPORT	
16	584005D1	1	TUBE ASSY	
17	586483D1	1	PLATE	
18	CH8T-4122	8	FLAT WASHER	17MM X 32MM X 3.5MM

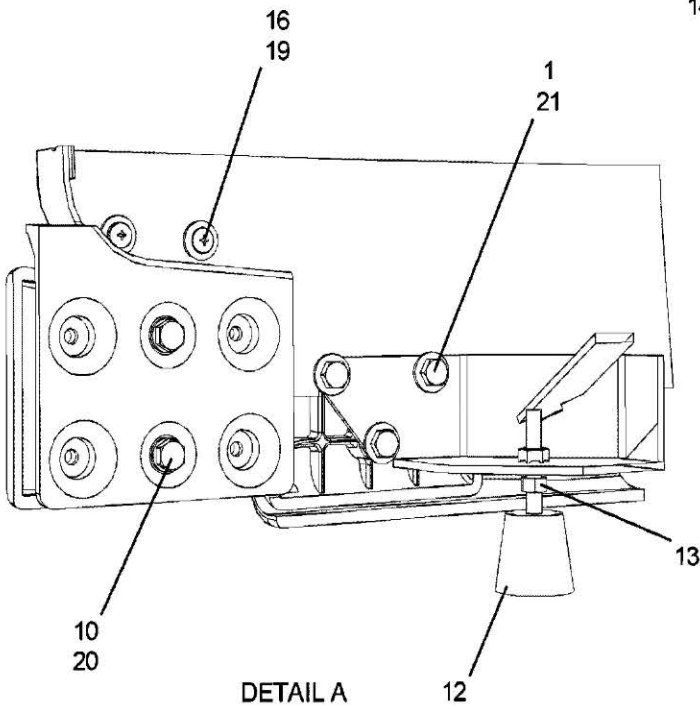
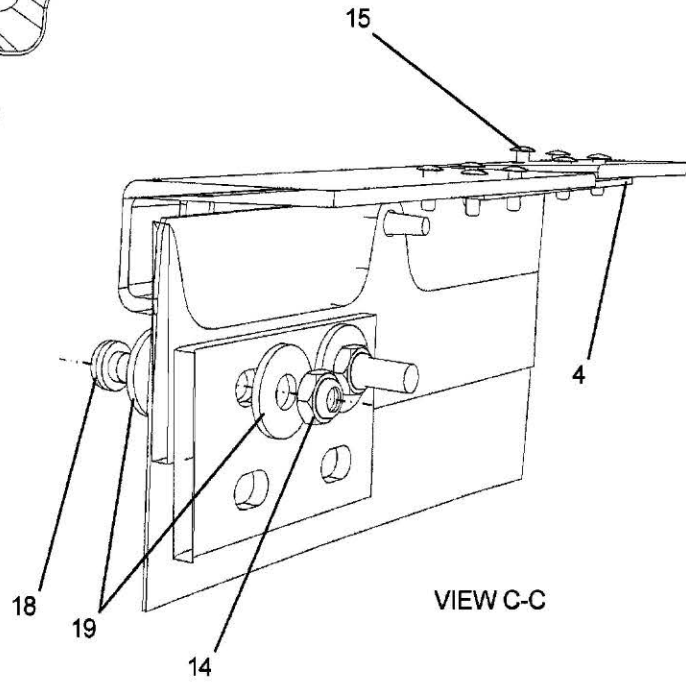
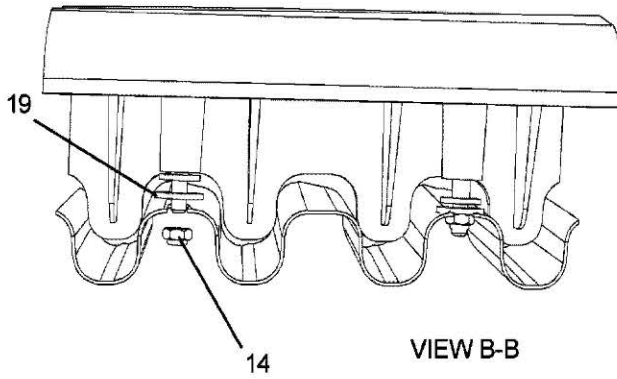
512269D1-03-W440-01



512269D1 - GRILLE ASSEMBLY

ITEM	PART NUMBER	QTY	DESCRIPTION COMMENTS	TECHNICAL SPECIFICATION
2	210-4418	2	BRACKET	
3	158-5961	1	RADIATOR GRILLE	
5	186-0466	1	RETAINER LOWER	
6	158-5962	1	RETAINER UPPER	
7	176-0373	1	LEFT HAND RETAINER	
8	176-0374	1	RIGHT HAND RETAINER	
9	512267D1	1	BAR GRILLE	
11	402216X1	2	HEXAGONAL HEAD BOLT	M8 X 1.25 X 30MM, CL9.8
17	CH8T-9501	8	PAN HEAD MACHINE SCREW	#10-16 X 19.05MM
19	CH5P-4115	29	FLAT WASHER	7.2MM X 19MM X 2MM

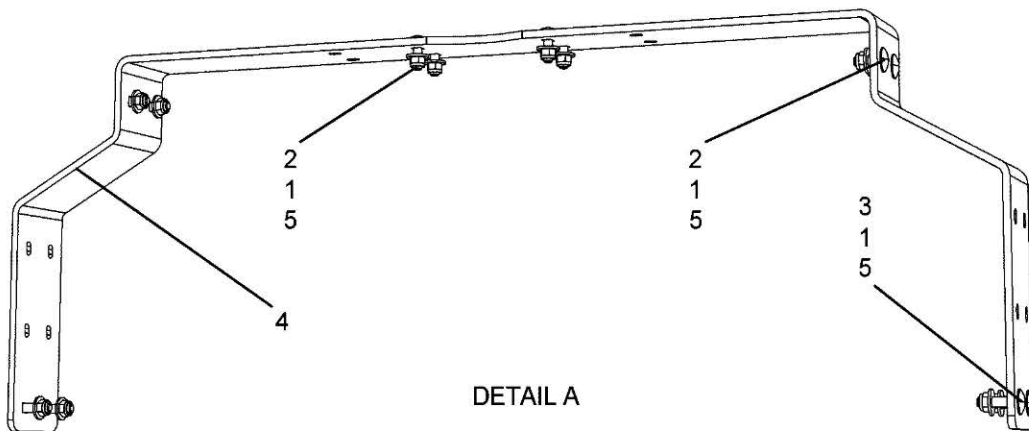
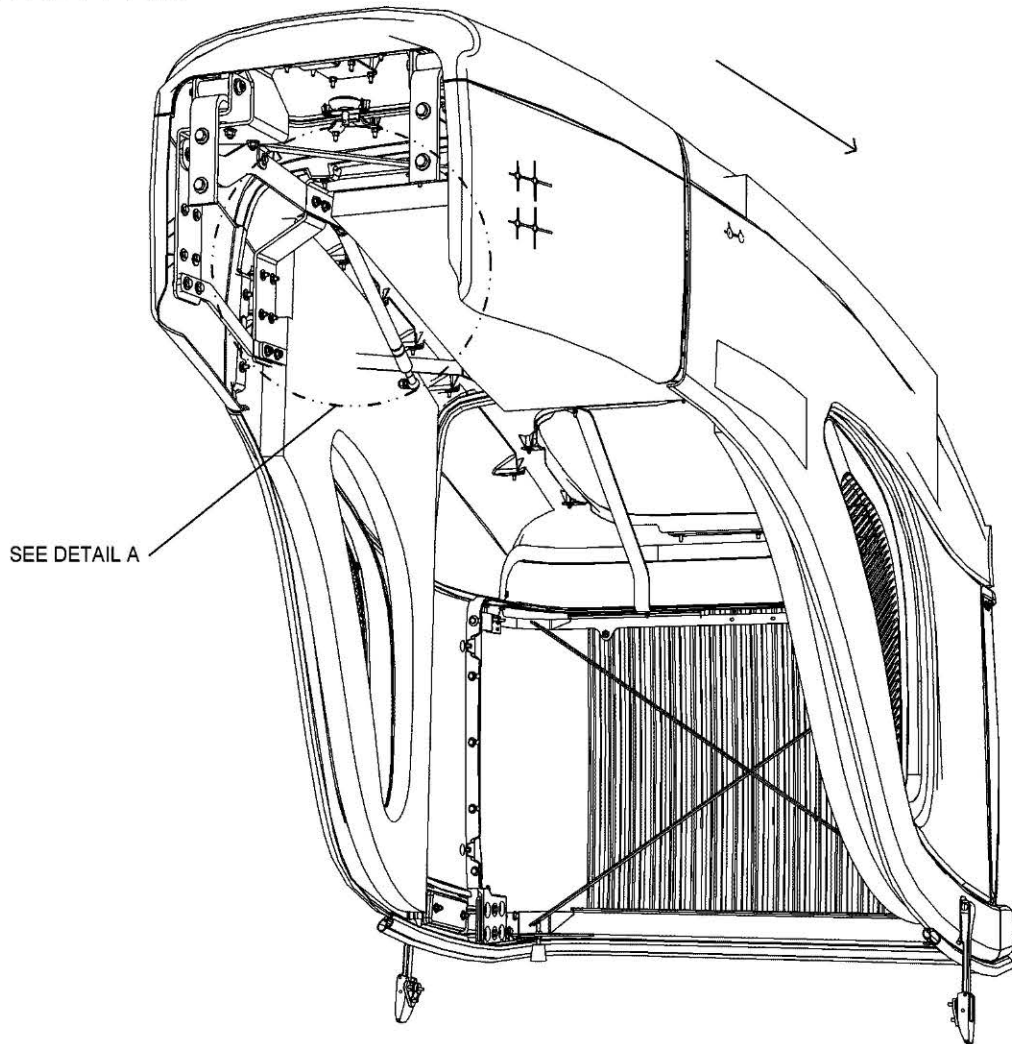
512269D1-03-W440-02



512269D1 - GRILLE ASSEMBLY

ITEM	PART NUMBER	QTY	DESCRIPTION COMMENTS	TECHNICAL SPECIFICATION
1	400053X1	6	HEXAGONAL HEAD BOLT	M8 X 1.25 X 20MM, CL10.9
4	210-4351	2	PLATE	
10	400227X1	4	HEXAGONAL HEAD BOLT	M8X1.25 THD X 16 10.9
12	531233D1	2	BUMPER RUBBER	
13	400682X1	2	HEX NUT	5/16"-18
14	CH129-3178	13	HEX LOCKNUT	M6 X 1MM
15	CH033-7291	16	RIVET	3.18MM OD X 4.78-6.35MM GRIP
16	CH217-5909	2	SELF-TAPPING SCREW	1/4"-15 X 12.7MM
18	CH8C-6433	4	BOLT	
19	CH5P-4115	29	FLAT WASHER	7.2MM X 19MM X 2MM
20	400339X1	4	FLAT WASHER	9MM X 16MM X 2MM
21	400599X1	6	FLAT WASHER	M8 X 20.5MM OD X 2MM THK

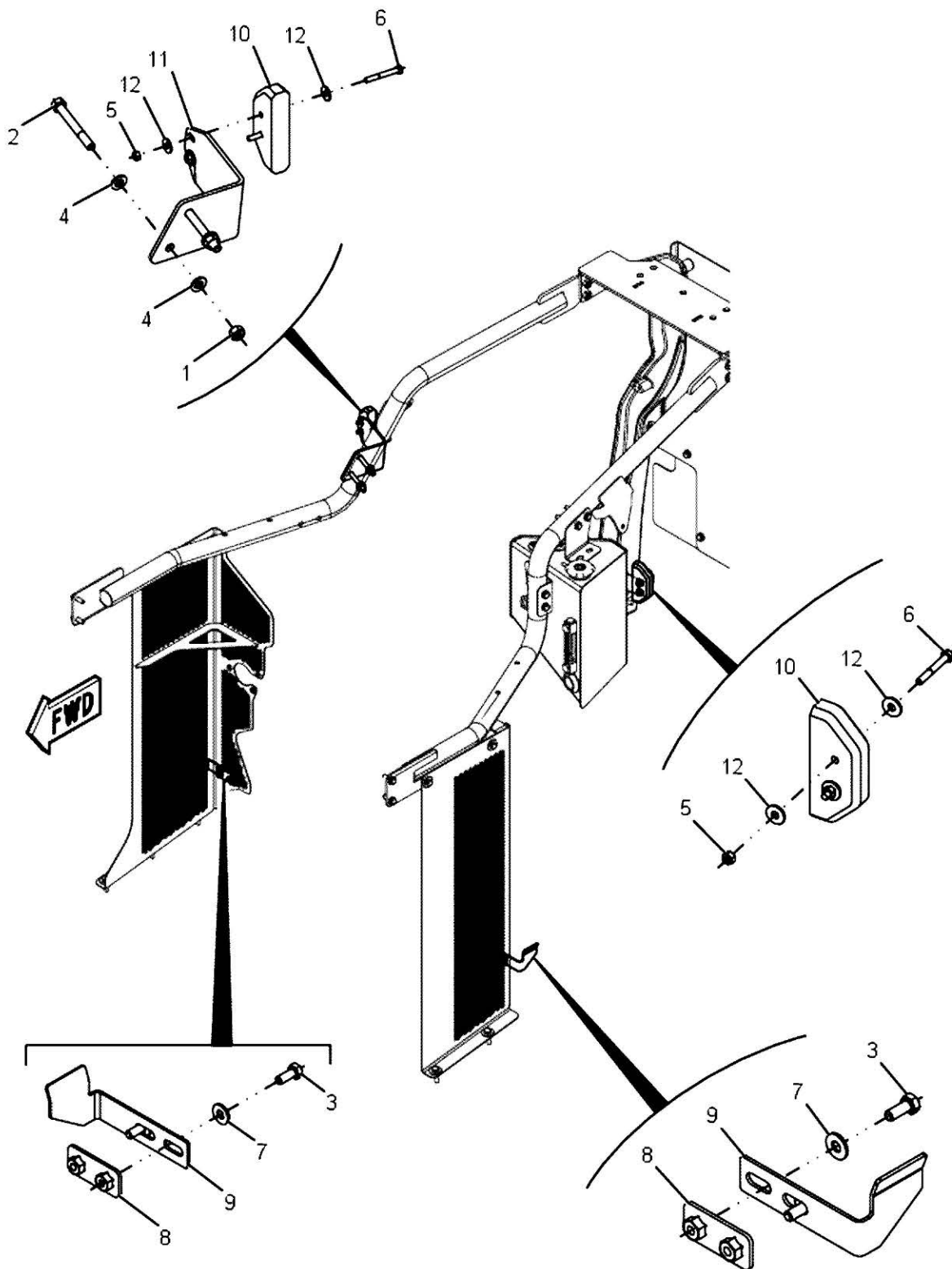
549911D1-1-Y166



549911D1 - BRACKET GROUP

ITEM	PART NUMBER	QTY	DESCRIPTION COMMENTS	TECHNICAL SPECIFICATION
1	400599X1	12	FLAT WASHER	M8 X 20.5MM OD X 2MM THK
2	402431X1	8	CARRIAGE BOLT	M8 X 1.25 X25MM
3	402436X1	4	ROUND HEAD SQUARE NECK CARRIAGE BOLT	M8 X 1.25 X 35
4	549105D1	1	BRACKET	
5	CH131-3540	12	HEX LOCKNUT	M8 X 1.25

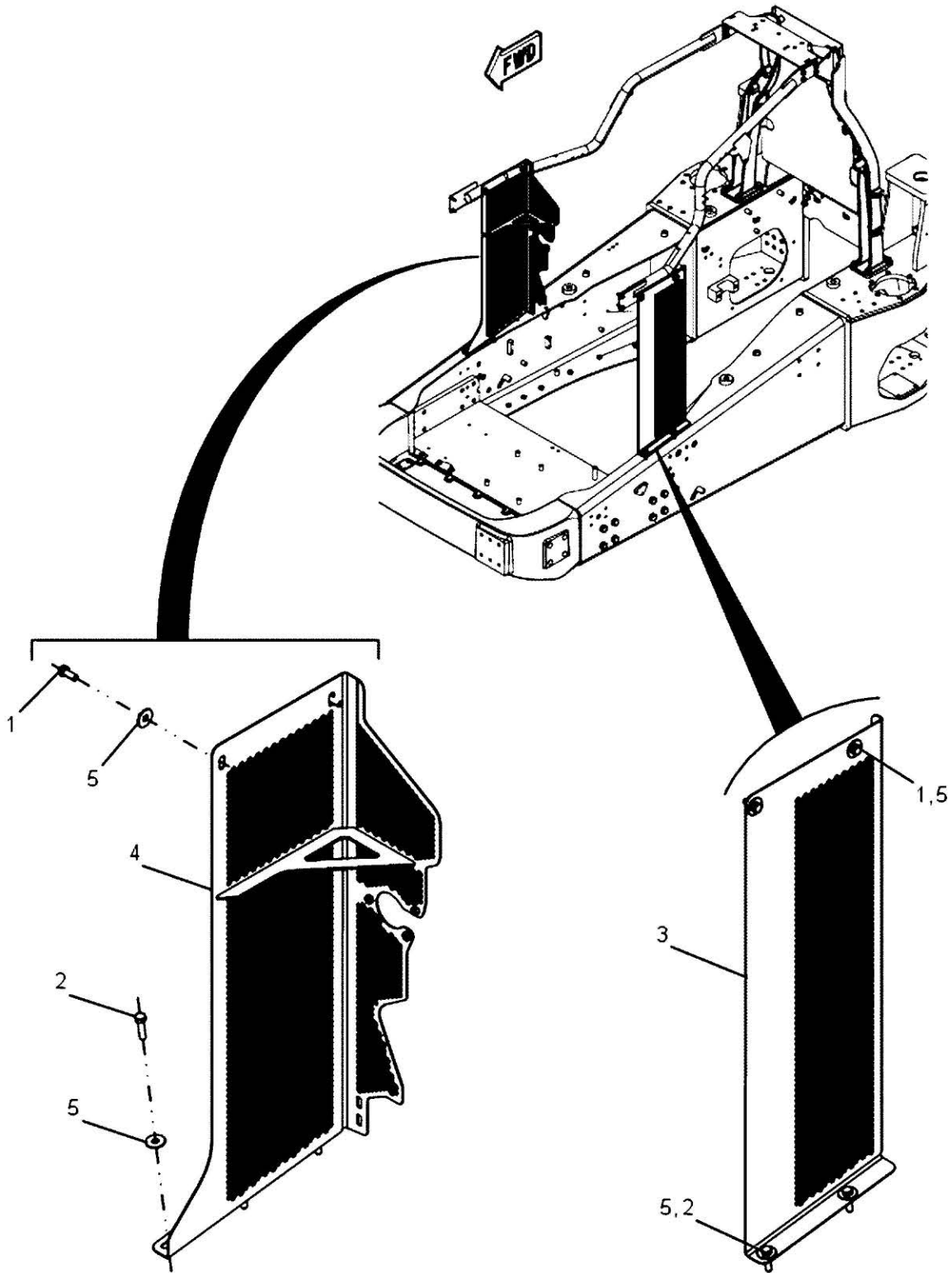
583943D1-2-



583943D1 - BRACKET GROUP - VIBRATION DAMPER

ITEM	PART NUMBER	QTY	DESCRIPTION COMMENTS	TECHNICAL SPECIFICATION
1	7774664	2	HEX NUT	M10 X 1.5
2	400044X1	2	HEXAGONAL HEAD BOLT	M10 X 1.5 X 80MM, CL10.9
3	400053X1	4	HEXAGONAL HEAD BOLT	M8 X 1.25 X 20MM, CL10.9
4	400287X1	4	FLAT WASHER	11MM X 21MM X 2.5MM
5	400300X1	4	HEX NUT	M6 X 1
6	400307X1	4	HEXAGONAL HEAD BOLT	M6 X 1.0 X 45MM
7	400599X1	4	FLAT WASHER	M8 X 20.5MM OD X 2MM THK
8	596582D1	2	BRACKET ASSY.	
9	583047D2	2	STOP BRACKET	GUARD
10	583080D1	2	GUIDE	HOOD
11	583942D1	1	BRACKET, RIGHT HAND	VIBRATION
12	CH5P-4115	8	FLAT WASHER	7.2MM X 19MM X 2MM

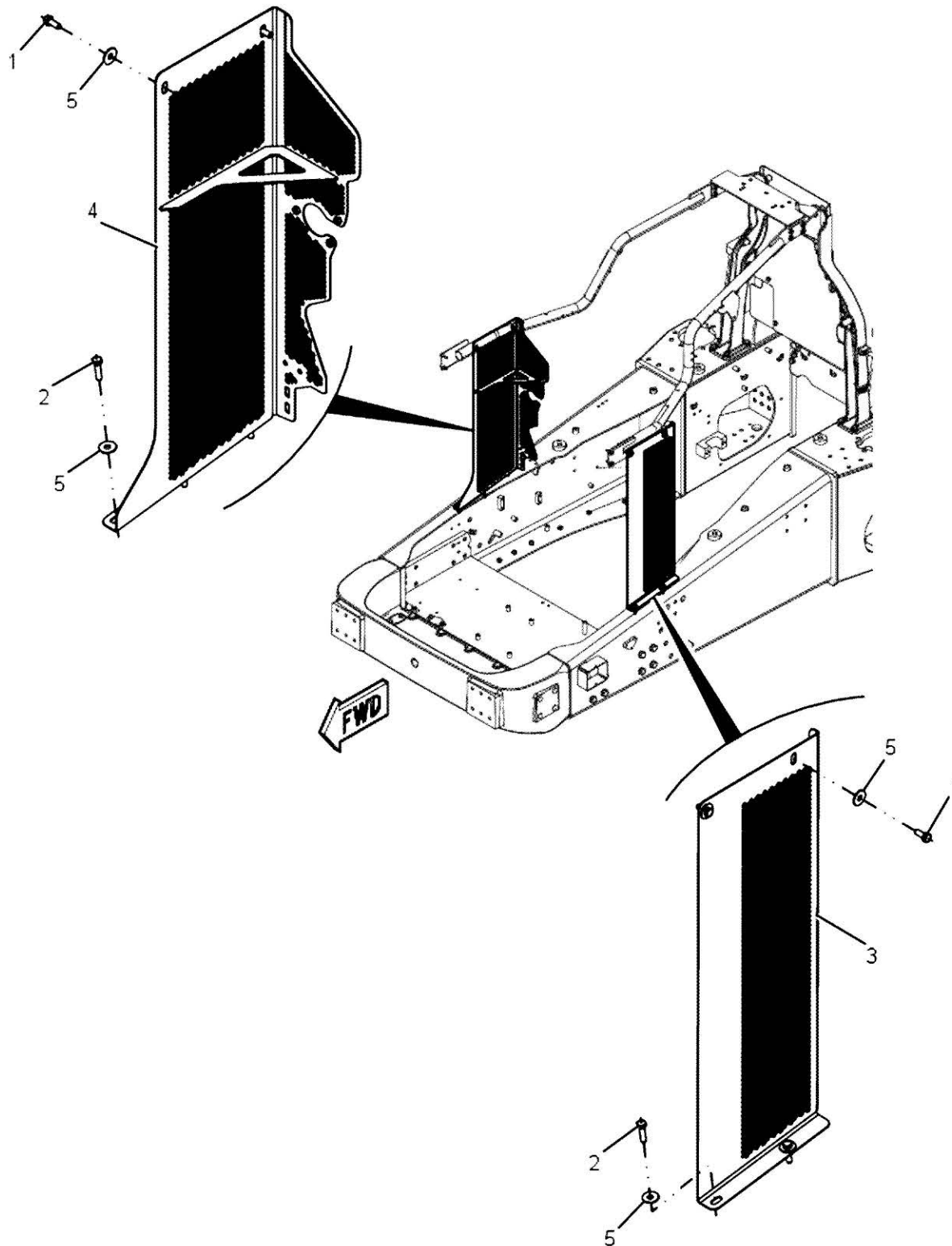
573003D3-1-



573003D3 - FAN GUARD GROUP - ENGINE FAN

ITEM	PART NUMBER	QTY	DESCRIPTION COMMENTS	TECHNICAL SPECIFICATION
1	400988X1	5	HEX SOCKET HEAD BOLT	M10 X 1.5 X 40MM, CL10.9
2	403369X1	4	BOLT	M10 X 25, CL 10.9
3	584011D1	1	FAN GUARD, LEFT HAND	
4	584012D1	1	FAN GUARD, RIGHT HAND	
5	CH8T-4222	9	FLAT WASHER	11MM ID X 32MM OD X 2.5MM

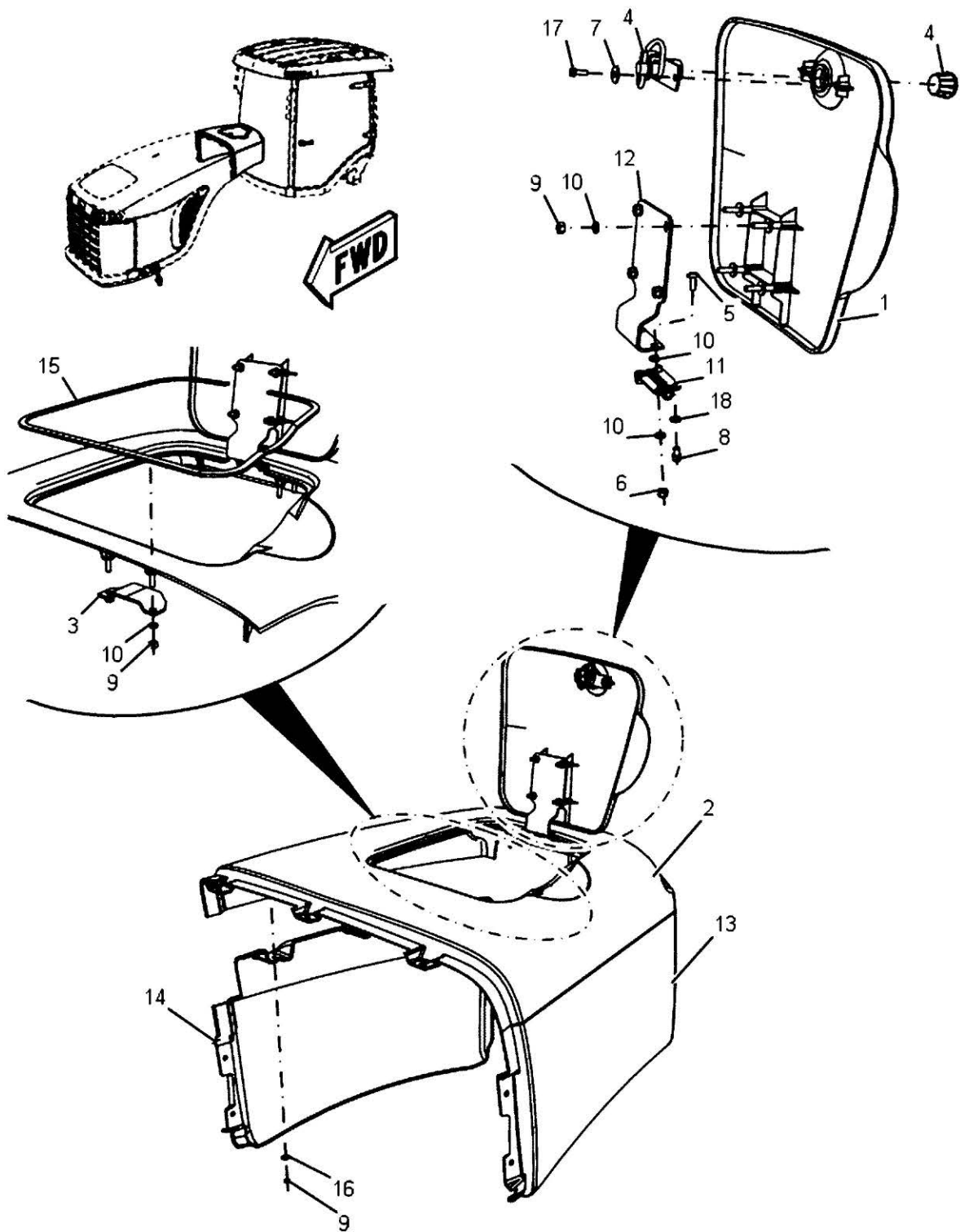
584010D1-2-



584010D1 - ENGINE FAN GROUP - GUARD

ITEM	PART NUMBER	QTY	DESCRIPTION COMMENTS	TECHNICAL SPECIFICATION
1	403369X1	4	BOLT	M10 X 25, CL 10.9
2	403370X1	5	BOLT	M10 X 40, CL 10.9
3	584011D1	1	FAN GUARD, LEFT HAND	
4	584012D1	1	FAN GUARD, RIGHT HAND	
5	CH8T-4222	9	FLAT WASHER	11MM ID X 32MM OD X 2.5MM

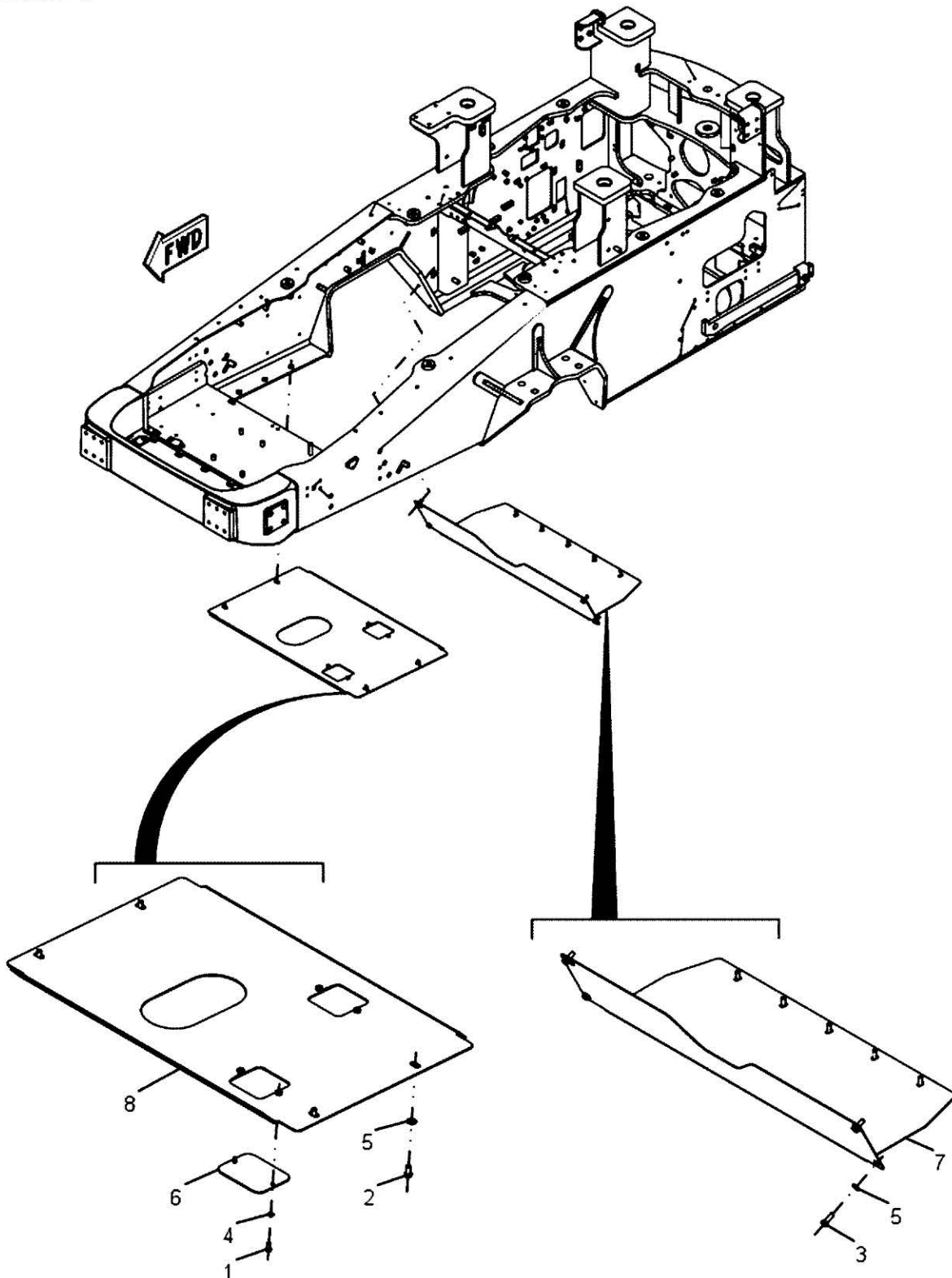
574147D1-2-01-



574147D1 - COVER GROUP

ITEM	PART NUMBER	QTY	DESCRIPTION COMMENTS	TECHNICAL SPECIFICATION
1	190-5942	1	LID	
2	196-6954	1	PANEL	
3	208-9495	1	BRACKET	
4	208-9496	1	LATCH	
5	210-4416	2	HEX HEAD MACHINE SCREW	M6
6	WR55310	2	HEX LOCKNUT	M6 X 1
7	400076X1	2	FLAT WASHER	5IDX16ODX1.2MM ZN
8	400138X1	2	HEX SOCKET HEAD BOLT	M6X1X10MM 12.9
9	400300X1	12	HEX NUT	M6 X 1
10	400310X1	10	FLAT WASHER	6.6MM ID X 12MM OD X 2MM
11	532089D1	1	HINGE	
12	535262D1	1	BRACKET	
13	574148D1	1	PLATE, LEFT HAND	
14	574149D1	1	PLATE, RIGHT HAND	
15	CH5P-3602		SEAL	50' ROLL
16	CH5P-4115	6	FLAT WASHER	7.2MM X 19MM X 2MM
17	CH8T-0285	2	SCREW	M4 X 0.7 X 12MM
18	CH8T-0334	2	FLAT WASHER	6.6MM ID X 12.5MM OD X 1.6MM

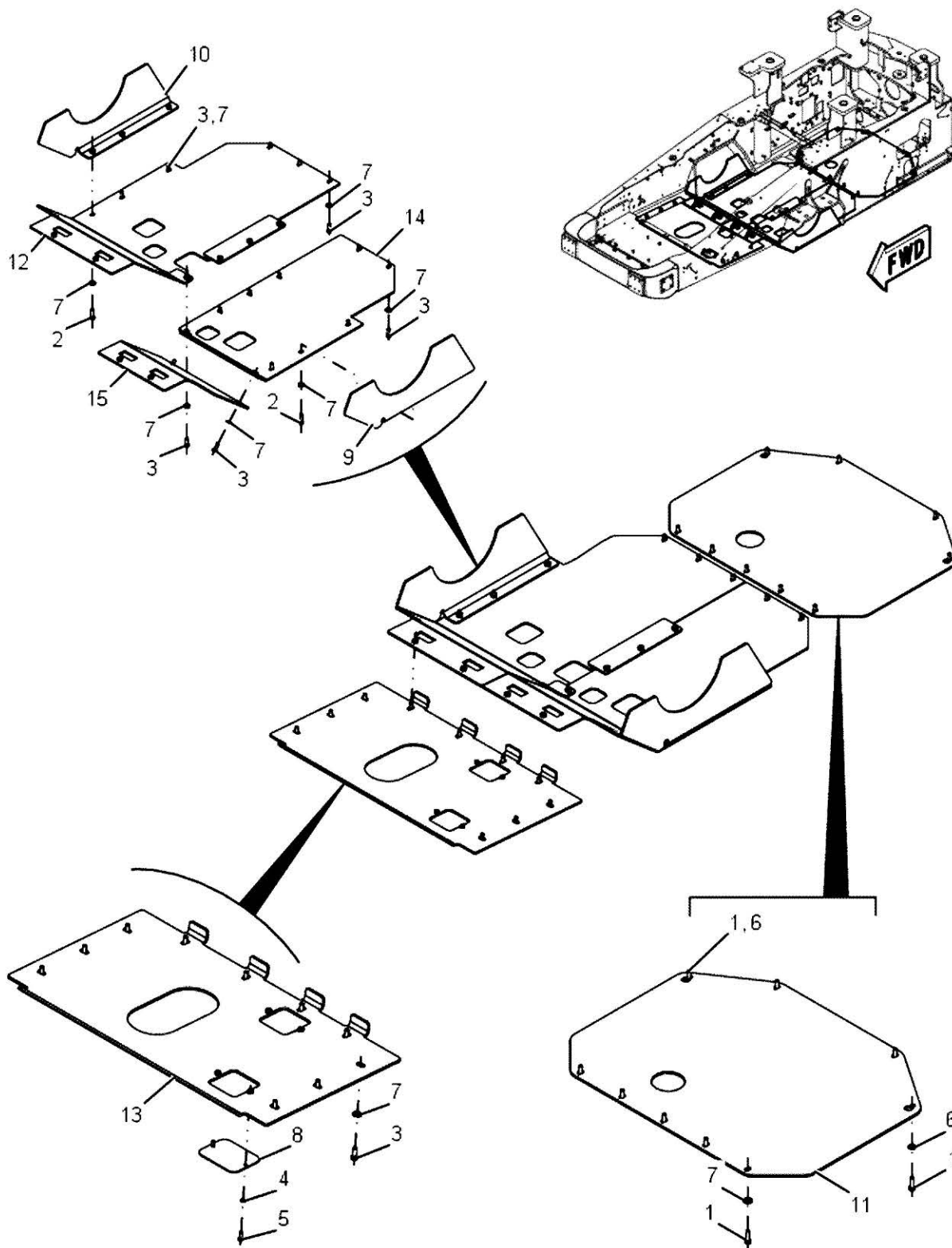
563735D1-3



563735D1 - DEFLECTOR ARRANGEMENT, FAN BLAST

ITEM	PART NUMBER	QTY	DESCRIPTION COMMENTS	TECHNICAL SPECIFICATION
	595528D1	1	COVER PLATE NOT SHOWN	W/DRAIN TUBE
	400381X1	12	FLAT WASHER NOT SHOWN	13.5MM X 30MM X 4MM
1	400053X1	4	HEXAGONAL HEAD BOLT	M8 X 1.25 X 20MM, CL10.9
2	400055X1	4	HEXAGONAL HEAD BOLT	M12 X 1.75 X 25MM, CL10.9
3	400064X1	9	HEXAGONAL HEAD BOLT	M12 X 1.75MM X 35MM, CL10.9
4	400339X1	4	FLAT WASHER	9MM X 16MM X 2MM
5	400357X1	1	FLAT WASHER	M12 X 25.5 X 3MM
6	514983D1	1	PLATE	
7	574190D1	1	GUARD	
8	574289D1	1	GUARD	

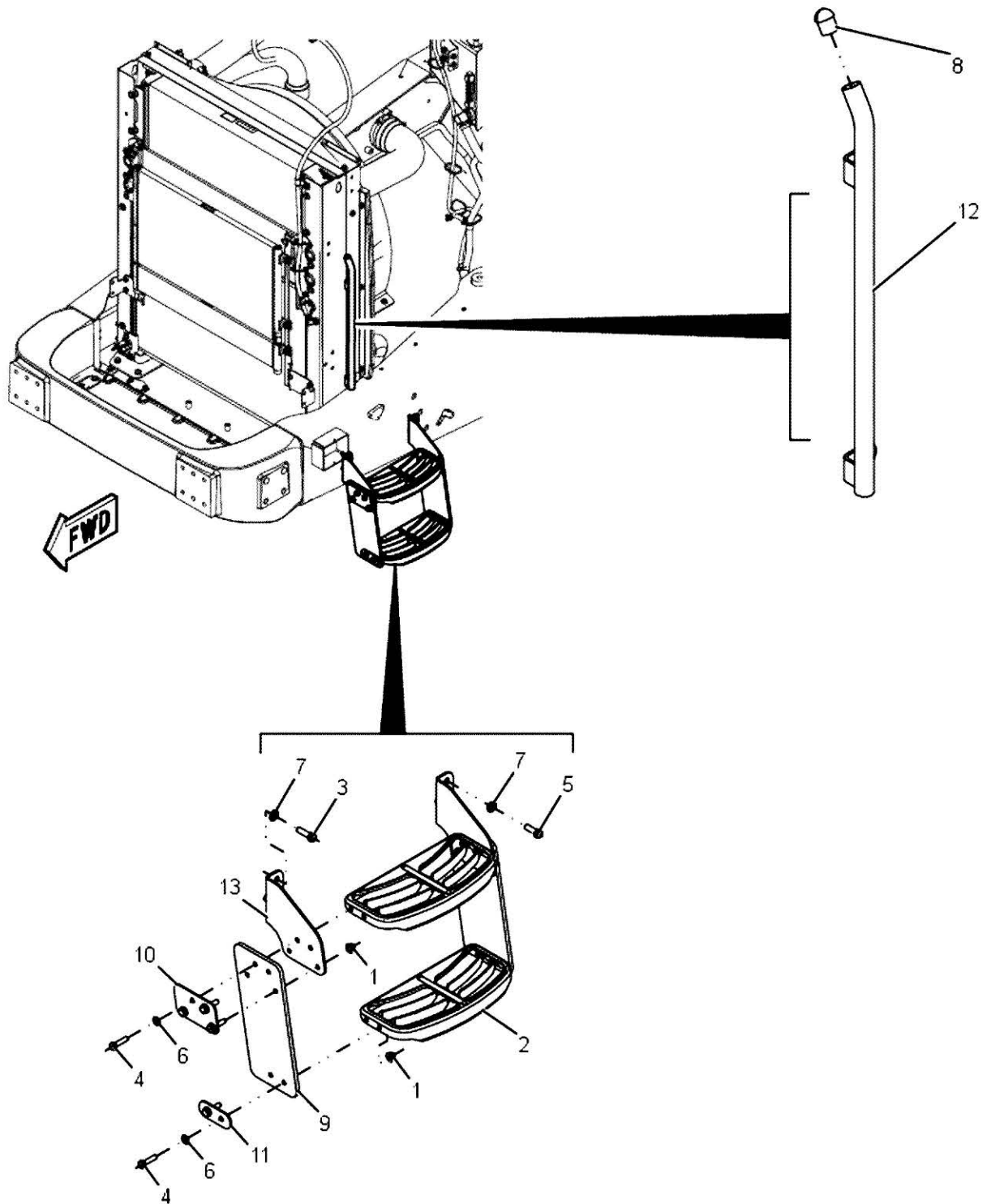
564107D1-4



564107D1 - BELLY PAN ASSEMBLY - SPECIAL APPLICATION

ITEM	PART NUMBER	QTY	DESCRIPTION COMMENTS	TECHNICAL SPECIFICATION
	595528D1	1	COVER PLATE NOT SHOWN	W/DRAIN TUBE
1	400050X1	9	HEXAGONAL HEAD BOLT	M12 X 1.75 X 40MM, CL10.9
2	400051X1	4	HEXAGONAL HEAD BOLT	M12 X 1.75 X 45MM, CL 10.9
3	400064X1	23	HEXAGONAL HEAD BOLT	M12 X 1.75MM X 35MM, CL10.9
4	400339X1	4	FLAT WASHER	9MM X 16MM X 2MM
5	400341X1	4	HEXAGONAL HEAD BOLT	M8 X 1.25 X 25MM
6	400357X1	2	FLAT WASHER	M12 X 25.5 X 3MM
7	400381X1	34	FLAT WASHER	13.5MM X 30MM X 4MM
8	514983D1	1	PLATE	
9	523838D1	1	GUARD	
10	523839D1	1	GUARD	
11	564112D1	1	GUARD	
12	574194D1	1	GUARD, RIGHT HAND	
13	574288D1	1	GUARD	
14	584896D1	1	LEFT HAND GUARD	
15	584898D1	1	FILTER COVER	

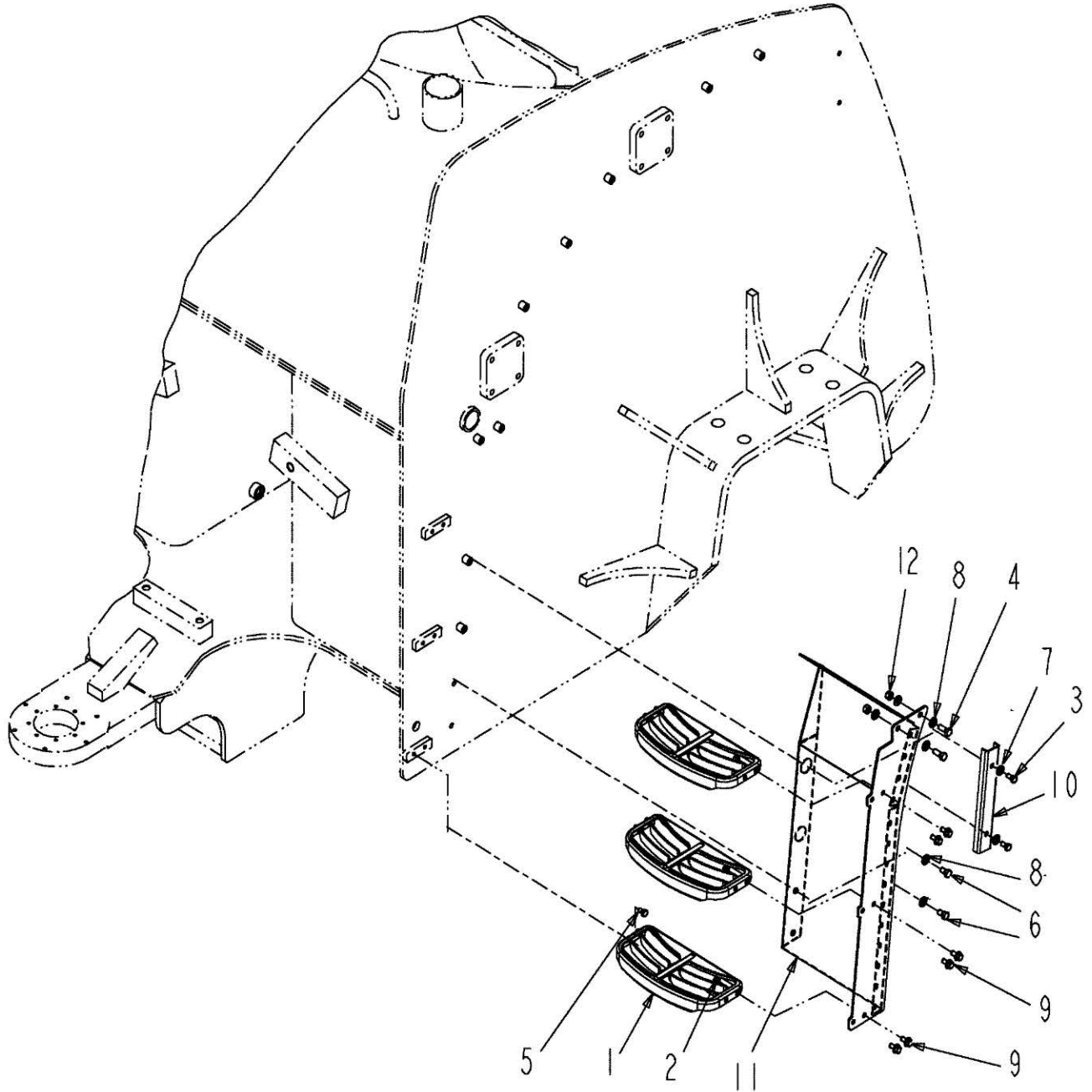
576670D1-3



576670D1 - STEP GROUP - FRONT

ITEM	PART NUMBER	QTY	DESCRIPTION COMMENTS	TECHNICAL SPECIFICATION
1	WR55289	12	HEX FLANGE NUT	M10 X 1.5, CL10
2	AG130450	2	STEP	170MM X 370MM
3	400050X1	2	HEXAGONAL HEAD BOLT	M12 X 1.75 X 40MM, CL10.9
4	400052X1	12	HEXAGONAL HEAD BOLT	M10 X 1.5 X 40MM, CL10.9
5	400064X1	2	HEXAGONAL HEAD BOLT	M12 X 1.75MM X 35MM, CL10.9
6	400287X1	12	FLAT WASHER	11MM X 21MM X 2.5MM
7	400357X1	4	FLAT WASHER	M12 X 25.5 X 3MM
8	509941D1	1	BUMPER	
9	555069D1	2	STEP EXTENSION	
10	555070D1	2	PLATE	
11	556343D1	2	WASHER	
12	576102D2	1	GRAB HANDLE	ACCESS STEP
13	584858D1	2	STEP BRACKET	

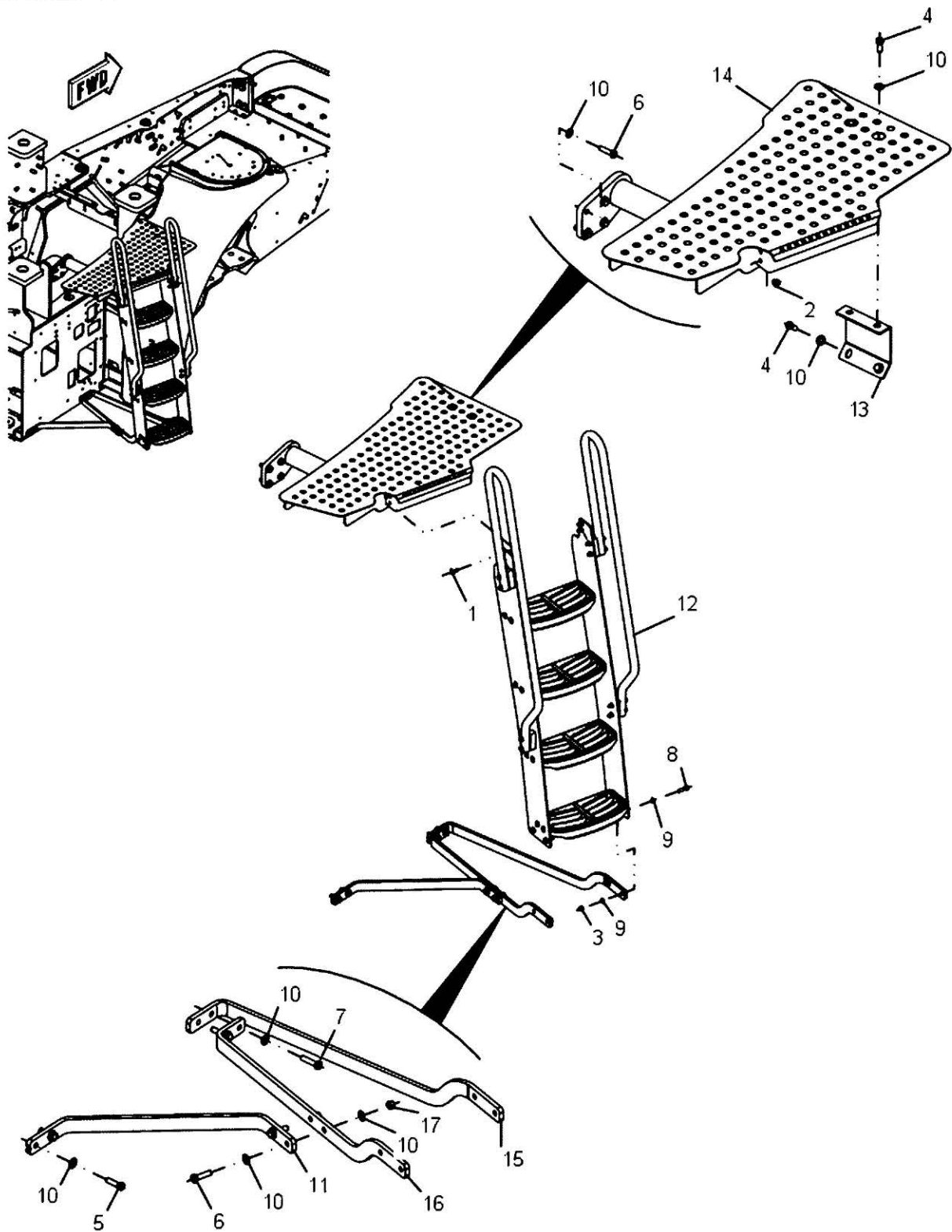
509455D2-01-W079



509455D2 - STEP GROUP, REAR

ITEM	PART NUMBER	QTY	DESCRIPTION COMMENTS	TECHNICAL SPECIFICATION
1	AG130450	3	STEP	170MM X 370MM
2	7774664	6	HEX NUT	M10 X 1.5
3	400040X1	2	HEXAGONAL HEAD BOLT	M10 X 1.5 X 20MM, CL10.9
4	400041X1	2	HEXAGONAL HEAD BOLT	M12 X 1.75 X 30MM, CL10.9
5	400054X1	6	HEXAGONAL HEAD BOLT	M10 X 1.5 X 16MM, CL10.9
6	400064X1	2	HEXAGONAL HEAD BOLT	M12 X 1.75MM X 35MM, CL10.9
7	400287X1	2	FLAT WASHER	11MM X 21MM X 2.5MM
8	400357X1	6	FLAT WASHER	M12 X 25.5 X 3MM
9	401555X1	6	HEXAGON FLANGE BOLT	M10 X 1.5 X 20, CL10.9
10	507187D1	1	COWL FENDER, REAR	
11	509438D1	1	FRAME	
12	CH8T-4244	2	HEX NUT	M12 X 1.75

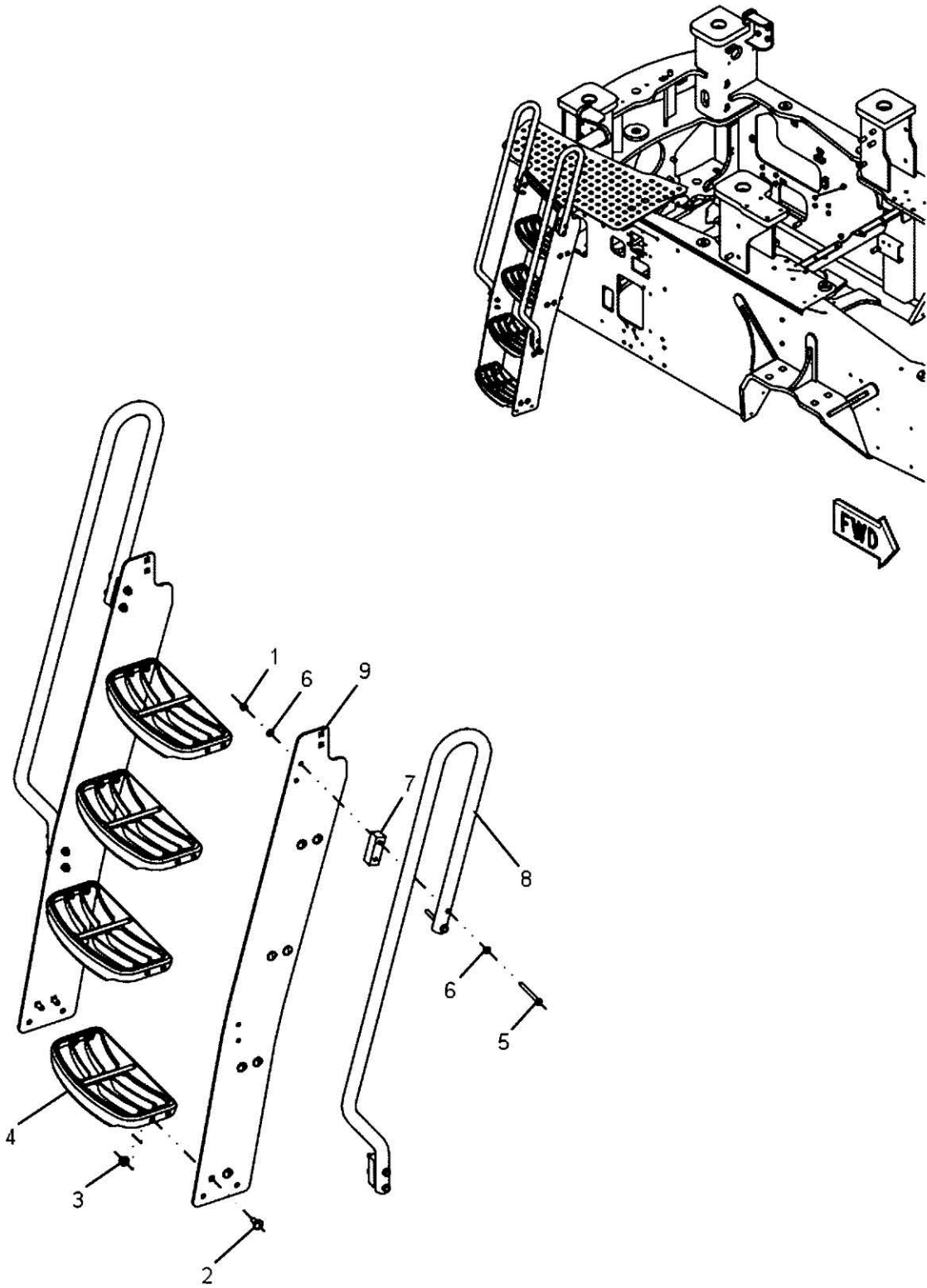
564446D1-2-



564446D1 - STEP GROUP, RIGHT HAND

ITEM	PART NUMBER	QTY	DESCRIPTION COMMENTS	TECHNICAL SPECIFICATION
1	WR55173	4	CARRIAGE BOLT	M10 X 1.5 X 25MM
2	WR55289	4	HEX FLANGE NUT	M10 X 1.5, CL10
3	7774664	4	HEX NUT	M10 X 1.5
4	400041X1	4	HEXAGONAL HEAD BOLT	M12 X 1.75 X 30MM, CL10.9
5	400050X1	2	HEXAGONAL HEAD BOLT	M12 X 1.75 X 40MM, CL10.9
6	400051X1	6	HEXAGONAL HEAD BOLT	M12 X 1.75 X 45MM, CL 10.9
7	400057X1	2	HEXAGONAL HEAD BOLT	M12 X 1.75 X 50MM, CL10.9
8	400059X1	4	HEXAGONAL HEAD BOLT	M10 X 1.5 X 35MM, CL10.9
9	400287X1	8	FLAT WASHER	11MM X 21MM X 2.5MM
10	400357X1	16	FLAT WASHER	M12 X 25.5 X 3MM
11	513458D1	1	SUPPORT	
12	NS	1	NON-SERVICEABLE PART SEE PAGE 12-0032	
13	557019D1	1	BRACKET	
14	564447D1	1	PLATFORM, RIGHT HAND	
15	564452D1	1	SUPPORT, RIGHT HAND	
16	564453D1	1	SUPPORT, RIGHT HAND	
17	CH8T-4244	2	HEX NUT	M12 X 1.75

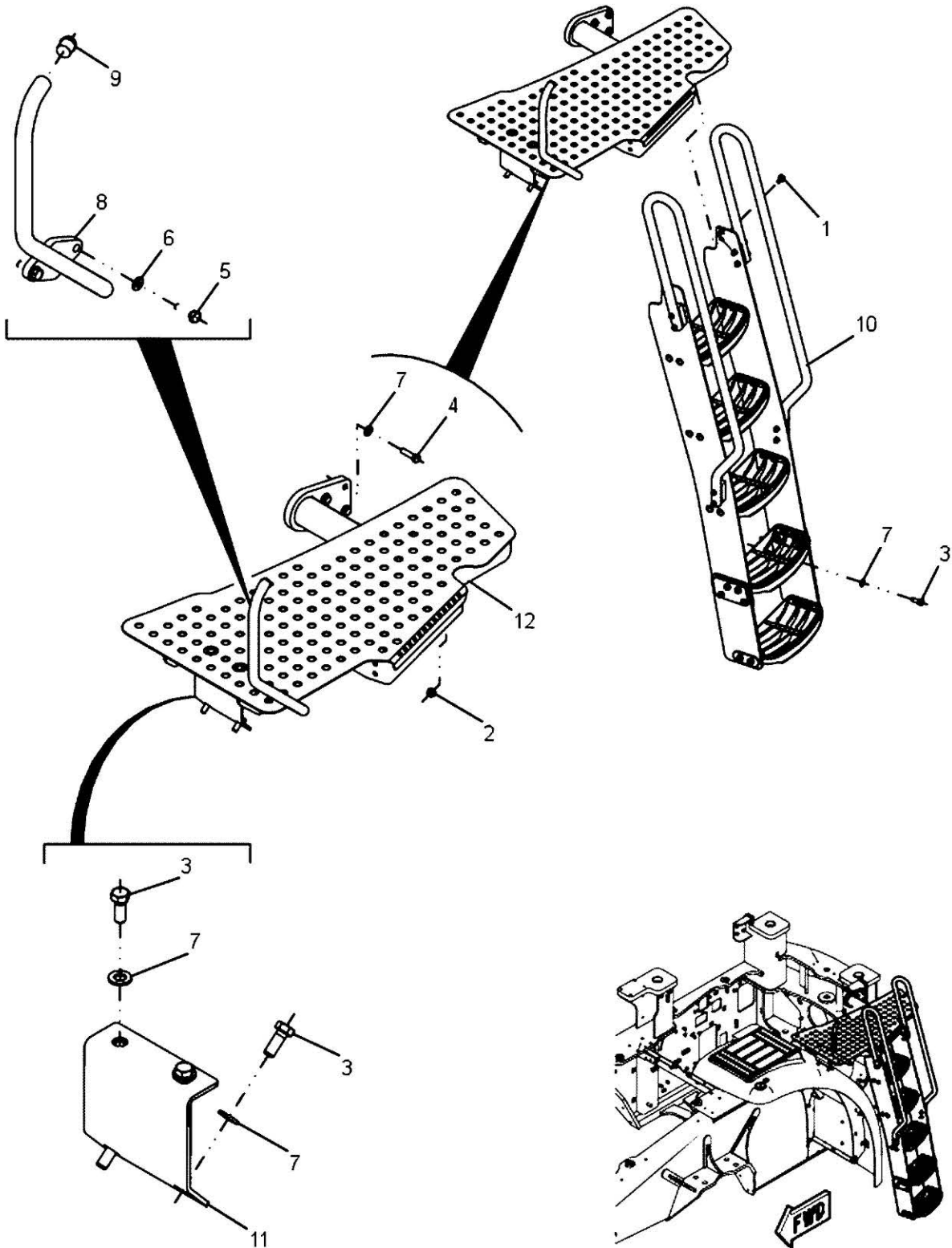
556331D1-3



556331D1 - STEP GROUP, RIGHT HAND

ITEM	PART NUMBER	QTY	DESCRIPTION COMMENTS	TECHNICAL SPECIFICATION
1	WR32254	8	HEX LOCKNUT	M8 X 1.25
2	WR55173	16	CARRIAGE BOLT	M10 X 1.5 X 25MM
3	WR55289	16	HEX FLANGE NUT	M10 X 1.5, CL10
4	AG130450	4	STEP	170MM X 370MM
5	400218X1	8	BOLT	M8 X 1.25 X 80MM, CL10.9
6	400339X1	16	FLAT WASHER	9MM X 16MM X 2MM
7	514234D2	4	SPACER	HANDRAIL
8	555057D1	2	HAND RAIL	
9	555064D1	2	STEP, LEFT HAND	

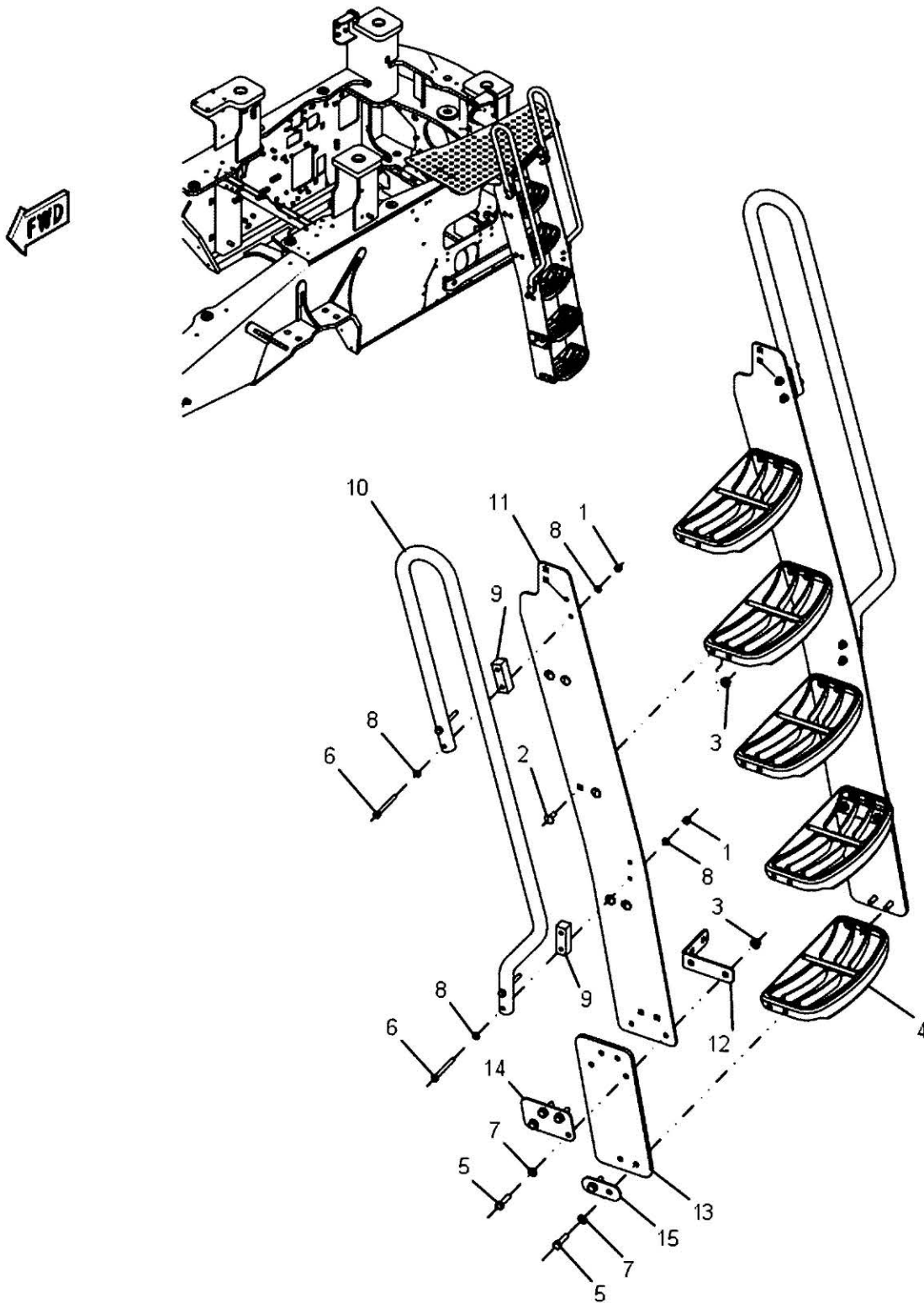
564449D1-3



564449D1 - STEP GROUP, LEFT HAND

ITEM	PART NUMBER	QTY	DESCRIPTION COMMENTS	TECHNICAL SPECIFICATION
1	WR55173	4	CARRIAGE BOLT	M10 X 1.5 X 25MM
2	WR55289	4	HEX FLANGE NUT	M10 X 1.5, CL10
3	400041X1	8	HEXAGONAL HEAD BOLT	M12 X 1.75 X 30MM, CL10.9
4	400051X1	4	HEXAGONAL HEAD BOLT	M12 X 1.75 X 45MM, CL 10.9
5	400059X1	2	HEXAGONAL HEAD BOLT	M10 X 1.5 X 35MM, CL10.9
6	400287X1	2	FLAT WASHER	11MM X 21MM X 2.5MM
7	400357X1	12	FLAT WASHER	M12 X 25.5 X 3MM
8	509680D1	1	TUBE	
9	509941D1	1	BUMPER	
10	NS	1	NON-SERVICEABLE PART SEE PAGE 12-0034	
11	557019D1	1	BRACKET	
12	564450D1	1	PLATFORM, LEFT HAND	

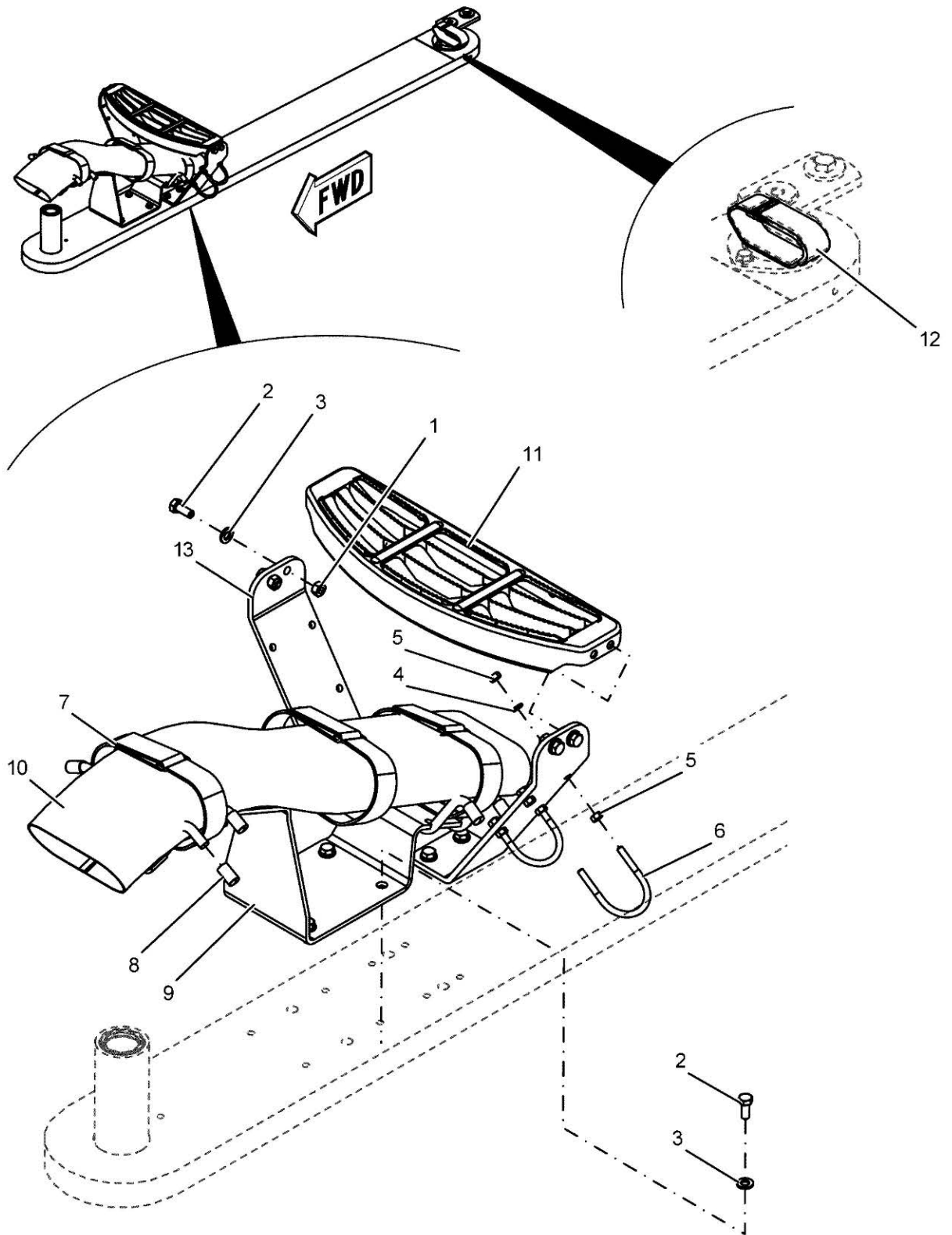
555067D1-4



555067D1 - STEP GROUP, LEFT HAND

ITEM	PART NUMBER	QTY	DESCRIPTION COMMENTS	TECHNICAL SPECIFICATION
1	WR32254	8	HEX LOCKNUT	M8 X 1.25
2	WR55173	12	CARRIAGE BOLT	M10 X 1.5 X 25MM
3	WR55289	24	HEX FLANGE NUT	M10 X 1.5, CL10
4	AG130450	5	STEP	170MM X 370MM
5	400052X1	12	HEXAGONAL HEAD BOLT	M10 X 1.5 X 40MM, CL10.9
6	400218X1	8	BOLT	M8 X 1.25 X 80MM, CL10.9
7	400287X1	12	FLAT WASHER	11MM X 21MM X 2.5MM
8	400339X1	16	FLAT WASHER	9MM X 16MM X 2MM
9	514234D2	4	SPACER	HANDRAIL
10	555057D1	2	HAND RAIL	
11	555064D1	2	STEP, LEFT HAND	
12	555066D1	2	ANGLE	
13	555069D1	2	STEP EXTENSION	
14	555070D1	2	PLATE	
15	556343D1	1	WASHER	

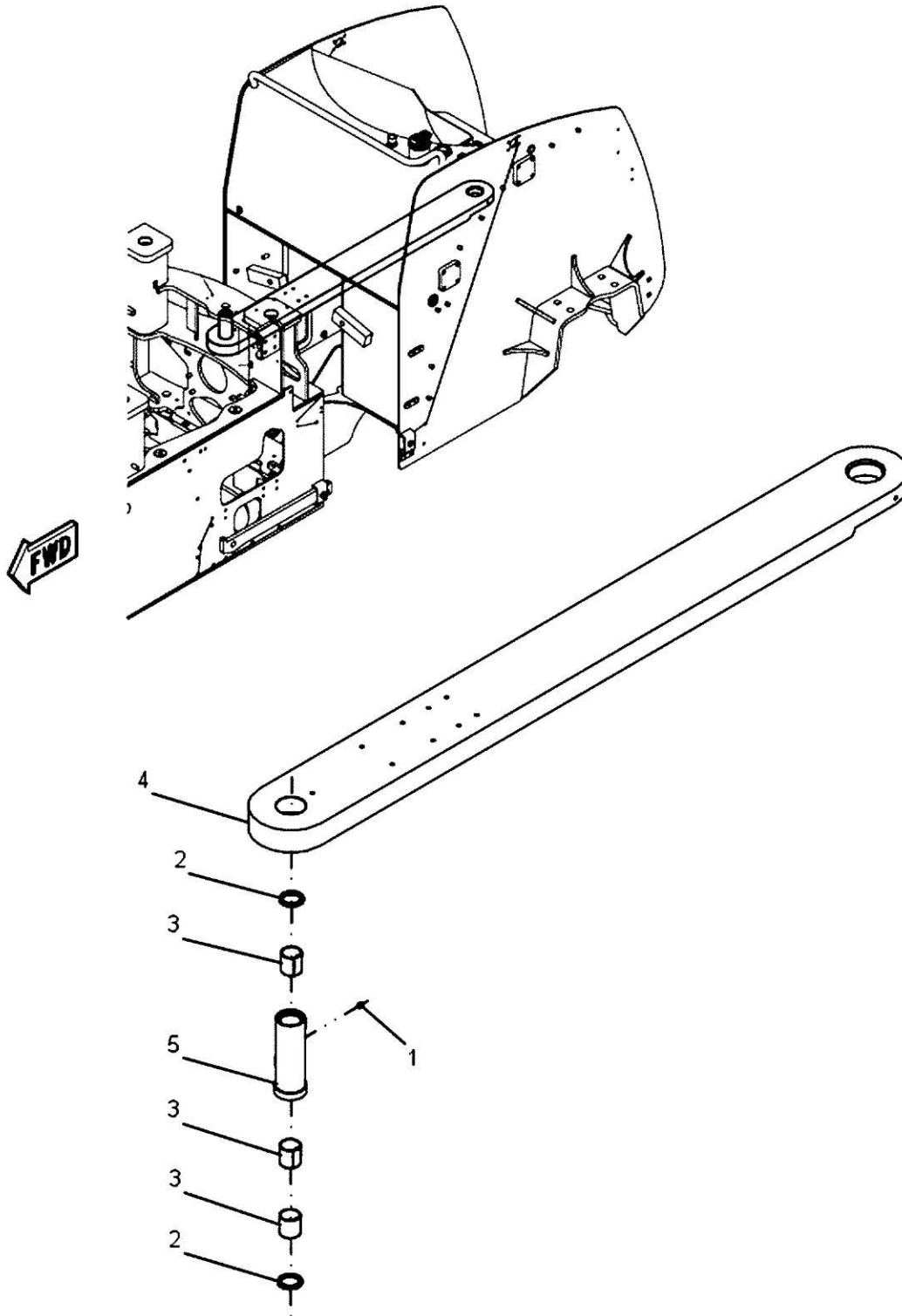
574054D1-2-AA717-



574054D1 - STEP SUPPORT ASSEMBLY

ITEM	PART NUMBER	QTY	DESCRIPTION COMMENTS	TECHNICAL SPECIFICATION
1	7774664	4	HEX NUT	M10 X 1.5
2	400039X1	12	HEXAGONAL HEAD BOLT	M10 X 1.5 X 25MM, CL10.9
3	400287X1	12	FLAT WASHER	11MM X 21MM X 2.5MM
4	400339X1	4	FLAT WASHER	9MM X 16MM X 2MM
5	400340X1	8	HEX NUT	M8 X 1.25MM X 13MM
6	401554X1	2	STIRRUP	
7	512137D1	3	STRAP	
8	513857D1	8	CAP	
9	513859D1	1	BRACKET	
10	515196D1	1	HOSE WRAP	437MM X 762MM
11	517727D1	1	STEP	148MM X 510MM WIDE
12	523577D1	1	STRAP	
13	530132D1	2	BRACKET	

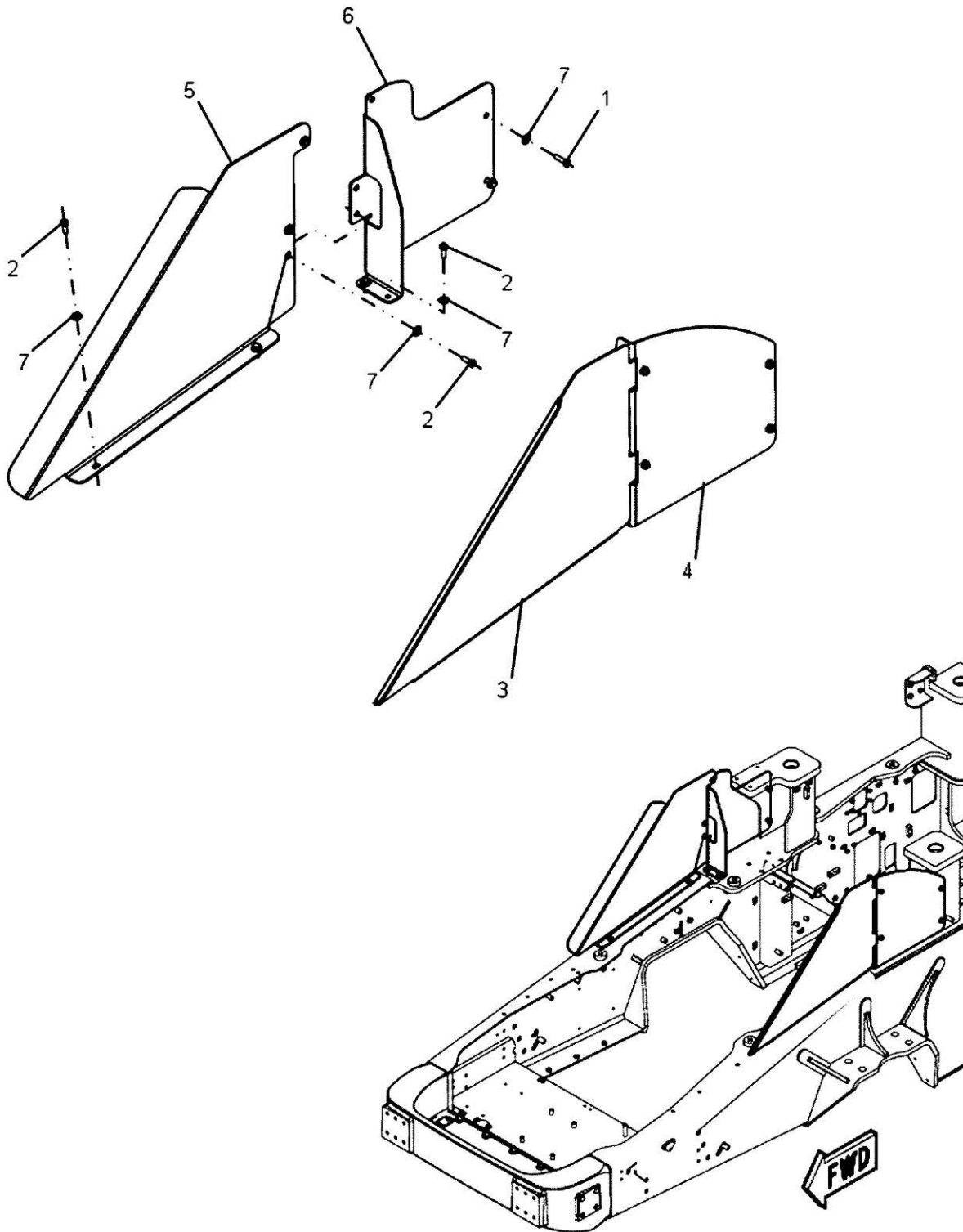
570135D1-3



570135D1 - LINK ASSEMBLY, ARTICULATION

ITEM	PART NUMBER	QTY	DESCRIPTION COMMENTS	TECHNICAL SPECIFICATION
1	AG550280	1	GREASE FITTING	1/8"-27 F NPT X 0.66"
2	400311X1	2	PIN SEAL	44.45MM ID X57.25MM OD X6.35MM
3	565710D1	3	BUSHING	
4	NS	1	NON-SERVICEABLE PART	
5	570137D1	1	LINK BUSHING	

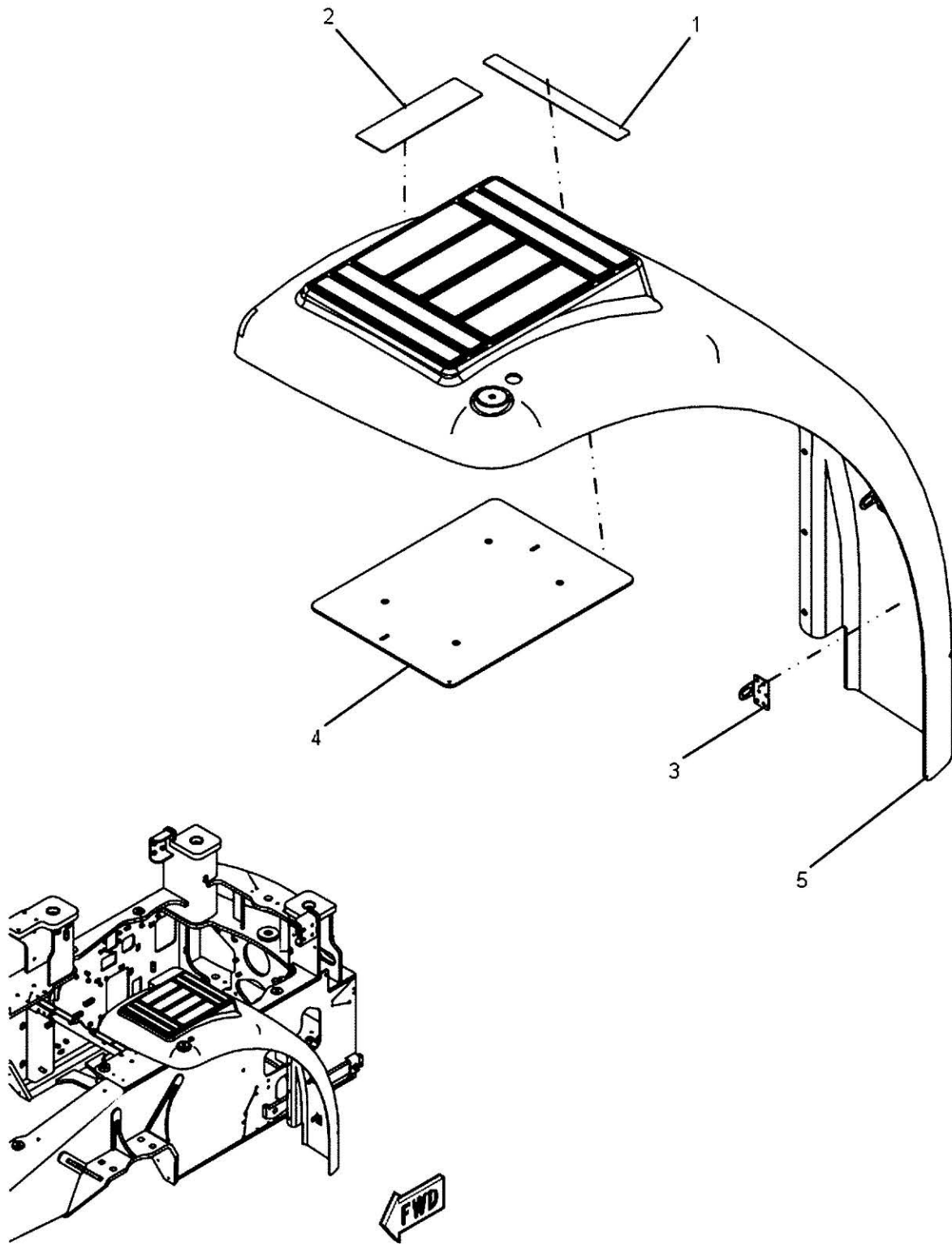
573243D1-2-



573243D1 - MUD GUARD ASSEMBLY

ITEM	PART NUMBER	QTY	DESCRIPTION COMMENTS	TECHNICAL SPECIFICATION
1	400052X1	4	HEXAGONAL HEAD BOLT	M10 X 1.5 X 40MM, CL10.9
2	400058X1	13	HEXAGONAL HEAD BOLT	M10 X 1.5 X 30MM
3	573237D1	1	GUARD	
4	573239D1	1	GUARD, LEFT HAND	
5	573240D1	1	GUARD	
6	573242D1	1	GUARD, RIGHT HAND	
7	CH7X-7729	17	FLAT WASHER	11MM X 25MM X 3MM

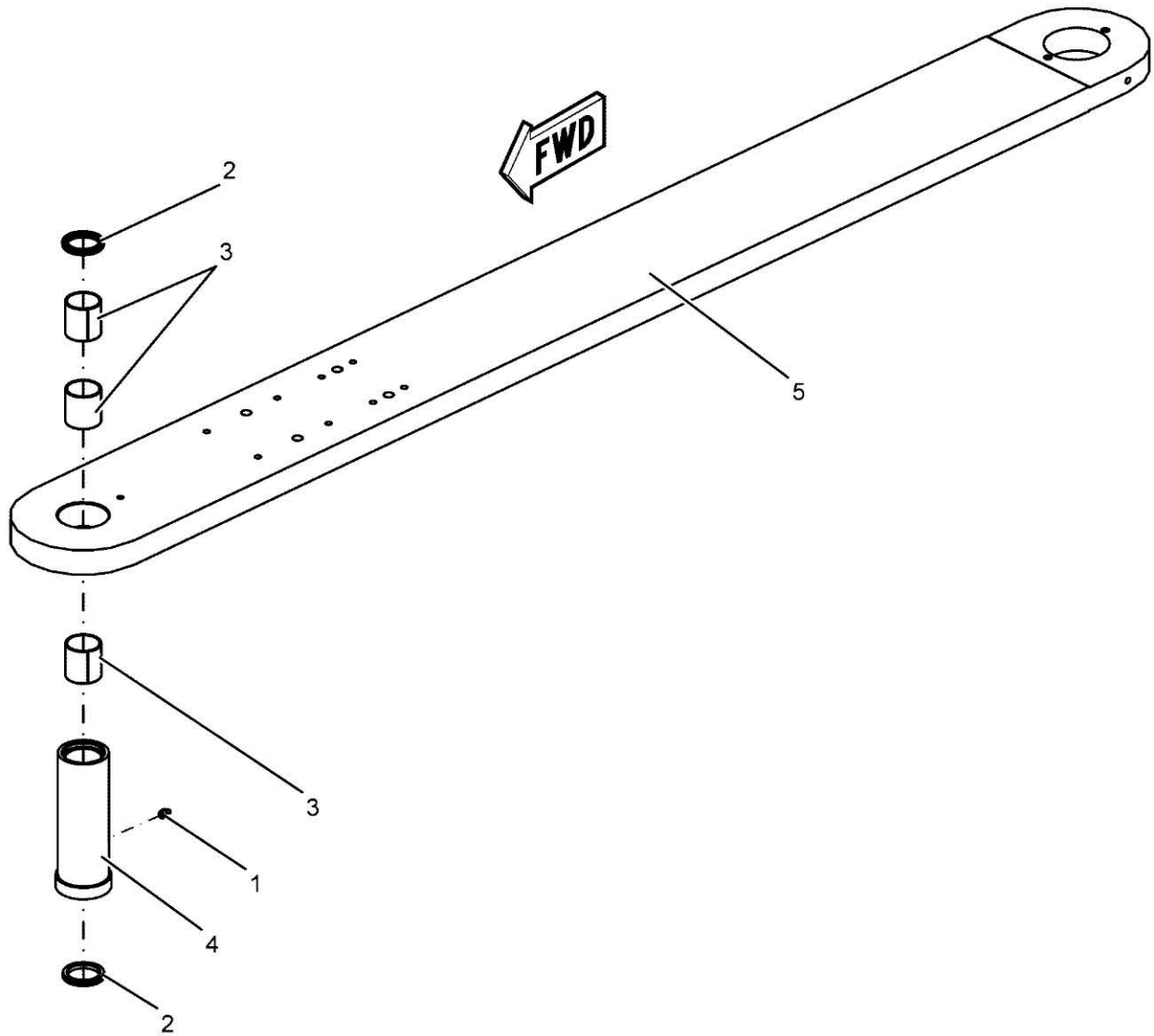
562911D1-3



562911D1 - FENDER

ITEM	PART NUMBER	QTY	DESCRIPTION COMMENTS	TECHNICAL SPECIFICATION
1	507173D1	4	ANTI-SKID TAPE	
2	507174D1	4	ANTI-SKID TAPE	
3	507600D1	3	BRACKET	
4	NS	1	NON-SERVICEABLE PART	
5	NS	1	NON-SERVICEABLE PART	

574052D1-2-AA717-



574052D1 - ARTICULATION LINK ASSEMBLY

ITEM	PART NUMBER	QTY	DESCRIPTION COMMENTS	TECHNICAL SPECIFICATION
1	AG550280	1	GREASE FITTING	1/8"-27 F NPT X 0.66"
2	400311X1	2	PIN SEAL	44.45MM ID X57.25MM OD X6.35MM
3	565710D1	3	BUSHING	
4	570137D1	1	LINK BUSHING	
5	NS	1	NON-SERVICEABLE PART	